



5300 95th Street North  
St. Petersburg, FL 33708

727.397.6076 phone  
727.398.6079 fax  
sales@campcompany.com  
www.campcompany.com

## ANODE CATALOG INDEX

---

ACORN NUT PROPELLER ANODES (ESSEX STYLE) .....	21
ARNESON OUTDRIVE ANODES .....	56
AUTO PROP ANODES .....	22
AUTO-STREAM / MARTEC® PROPELLER ANODES .....	22
BARREL COLLAR SHAFT ANODES (METRIC)* .....	6-7
BARREL COLLAR SHAFT ANODES (STANDARD)* .....	4-5
BENETT TRIM TAB ANODE KIT .....	12
BEN-NET-EAU DONUT COLLAR SHAFT ANODES .....	23
BEN-NET-EAU PROPELLER ANODES & BRASS NUT KITS .....	23
BOLT-ON HULL ANODES .....	30
BRONZE BOLTS FOR HEAT EXCHANGER/FERNSTRUM ANODES .....	87
BUKH DIESEL ANODE .....	19
BULLET STYLE PROPELLER ANODES & BRASS NUT KITS .....	27
BULLNOSE COLLAR SHAFT ANODES (SAILBOAT)* .....	11
CAP ANODES .....	89
CATERPILLAR ENGINE ANODES .....	15
CONDENSER ZINCS .....	90
CRAB TRAP .....	44
CUMMINS DIESEL ENGINE ANODE .....	20
DISC ANODES .....	41
DONUT COLLAR SHAFT ANODES (METRIC)* .....	9
DONUT COLLAR SHAFT ANODES (STANDARD)* .....	8
ELEMENT WITH BRONZE PLUG OR ELEMENT ONLY .....	13-14
FEATHERING PROPELLER ANODES .....	24
FLANGED DISC ANODES .....	40
FLEX-O-FOLD PROPELLER ANODE .....	24
FORCE OUTBOARD ANODES .....	63-64
FRIGOBOAT .....	80
GM / DETROIT DIESEL ENGINE ANODES .....	16
GORI PROPELLER AFT ANODE .....	25
GORI SHAFT COLLAR ANODES .....	25
GROUPE .....	44
HAMILTON JET DRIVE ANODES .....	83-84



5300 95th Street North  
St. Petersburg, FL 33708

727.397.6076 phone  
727.398.6079 fax  
sales@campcompany.com  
www.campcompany.com

## ANODE CATALOG INDEX CONT.

---

HEAT EXCHANGER/FERNSTRUM ANODES .....	85-86
HONDA OUTBOARD ANODES .....	70
HULL PLATE ANODES WITH BONDING WIRE* .....	45
ISUZU ENGINE ANODES .....	16
JOHNSON & EVINRUDE OUTBOARD ANODES .....	65-66
KAMEWA JET DRIVE ANODE .....	82
KEEL COOLER .....	80
LARGE COMMERCIAL DONUT COLLAR SHAFT ANODES* .....	10
LEWMAR BOW THRUSTER ANODES .....	76
LINE CUTTER ANODES .....	81
MARINER OUTBOARD ANODES .....	60-62
MAXI-PROP ANODES .....	26
MAXI-PROP SCREWS .....	27
MERCURY OUTBOARD ANODES .....	57-59
MERCURY OUTDRIVE ANODES .....	47-50
MERCURY POWER JET ANODES .....	82
MERCURY ZEUS DRIVE .....	81
MOORING CHAIN ANODES .....	91
NISSAN & TOHATSU OUTBOARD ANODES .....	71
OMC OUTDRIVE ANODES .....	51-52
OMC SAIL DRIVE ANODE .....	79
PENCIL ANODES .....	13-14
PERINI NAVI ANODE .....	41
PROPELLER NUT ANODES & BRASS NUT KITS (PATENT #259811) .....	28
PROWELL PROPELLER ANODES .....	28
QL BOW THRUSTER ANODES .....	77
QUICK BOW THRUSTER .....	92
RENAULT ENGINE ANODES .....	17
RUDDER ANODES .....	12
SEA DOO KIT .....	82
SEA SAIL DRIVE ANODE .....	79
SEA STRAINER .....	80
SIDE POWER BOW THRUSTER ANODE KITS .....	74-75



5300 95th Street North  
St. Petersburg, FL 33708

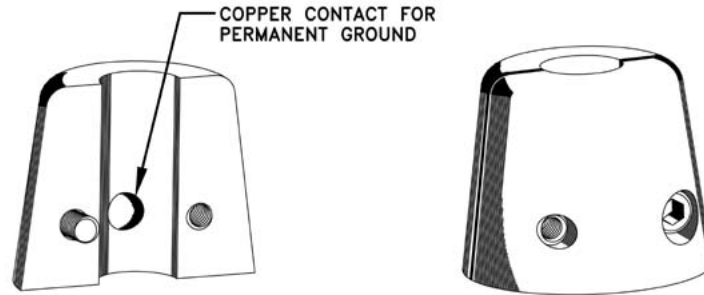
727.397.6076 phone  
727.398.6079 fax  
sales@campcompany.com  
www.campcompany.com

## ANODE CATALOG INDEX CONT.

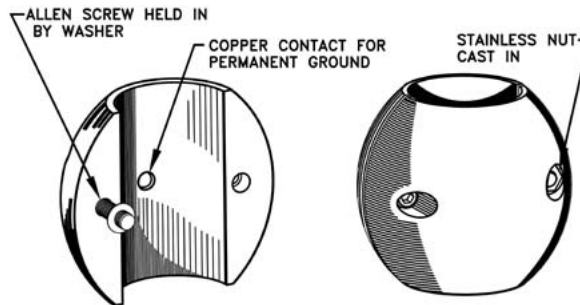
---

SIDE SHIFT BOW THRUSTER ANODES .....	76
STAINLESS STEEL RODS FOR ZDT ASSEMBLIES .....	87
SUZUKI OUTBOARD ANODES .....	72
TEAR DROP ANODES .....	40
TYPE ZDT BRASS PLUG .....	88
TYPE ZDT ZINC REPLACEMENT ELEMENTS .....	88
VARIPROFILE PROPELLER ANODES .....	29
VARI-PROP ANODES .....	29
VETUS® BOW THRUSTER ANODES .....	73
VETUS® HULL PLATE ANODES .....	45
VOLVO OUTDRIVE ANODES .....	53-55
WELD-ON HULL ANODES .....	46
WESMAR THRUSTER ANODES .....	77
YAMAHA OUTBOARD ANODES .....	67-69
YAMAHA OUTDRIVE ANODE .....	56
YANMAR ENGINE ANODES .....	20
YANMAR SAIL DRIVE ANODE & ADAPTOR .....	79
ZDM BRASS RETAINING PLUGS .....	19
ZDM REPLACEMENT ELEMENTS .....	18
ZINC PLATES .....	42-43
ZINC RODS .....	78
ZRN BRASS RETAINING PLUGS .....	18
ZRN REPLACEMENT ELEMENTS .....	17

BARREL COLLAR SHAFT ANODES (STANDARD)\*



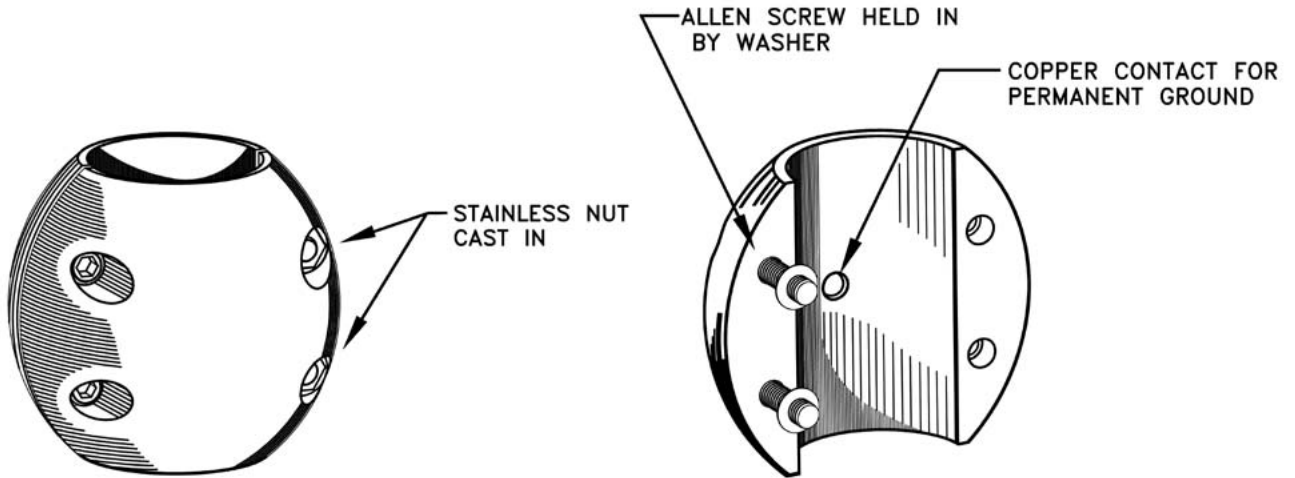
Part Number	Shaft Size	Outer Diameter	Width	Standard Box
X-0	1/2"	1-1/2" (widest point)	1-1/4"	-



Part Number	Shaft Size	Outer Diameter	Width	Standard Box
X-1	3/4"	1-15/16"	2-1/8"	24
X-1A (Ex. Hvy.)	3/4"	2-1/4"	2-3/8"	24
X-2	7/8"	1-15/16"	2-1/8"	24
X-2A (Ex. Hvy.)	7/8"	2-1/4"	2-3/8"	24
X-3	1"	2-1/8"	2-3/8"	24
X-3A (Ex. Hvy.)	1"	2-1/4"	2-3/8"	24
X-4	1-1/8"	2-1/4"	2-3/8"	24
X-5	1-1/4"	2-5/16"	2-1/2"	24

\*Anodes subject to cavitation will decay more rapidly.  
Anodes should be inspected frequently to assure proper functionality.

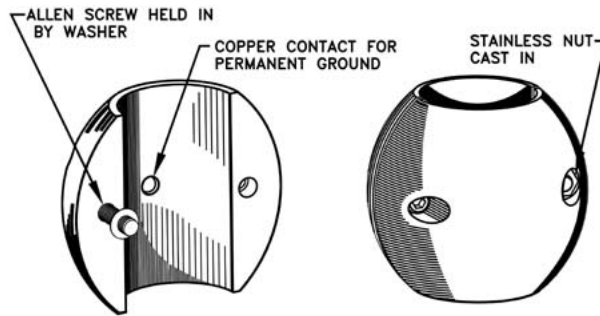
BARREL COLLAR SHAFT ANODES (STANDARD)\* CONT.



Part Number	Shaft Size	Outer Diameter	Width	Standard Box
X-5A (Ex. Hvy.)	1-1/4"	2-5/8"	2-11/16"	12
X-6	1-3/8"	2-5/8"	2-11/16"	12
X-7	1-1/2"	2-5/8"	2-11/16"	12
X-8	1-3/4"	3-5/16"	3"	8
X-9	2"	3-3/8"	3-1/8"	8
X-10	2-1/4"	4-1/4"	3-7/8"	4
X-11	2-1/2"	4-1/4"	3-7/8"	4
X-12	2-3/4"	4-13/16"	3-3/4"	4
X-13	3"	4-13/16"	3-3/4"	4
X-14	3-1/4"	5-1/4"	3-3/4"	2
X-15	3-1/2"	5-1/4"	3-3/4"	2
X-16	3-3/4"	5-11/16"	3-3/4"	2
X-17	4"	5-11/16"	3-11/16"	2
X-18	4-1/2"	6-5/16"	3-5/8"	2
X-19	5"	6-7/8"	3-5/8"	2

\*Anodes subject to cavitation will decay more rapidly.  
Anodes should be inspected frequently to assure proper functionality.

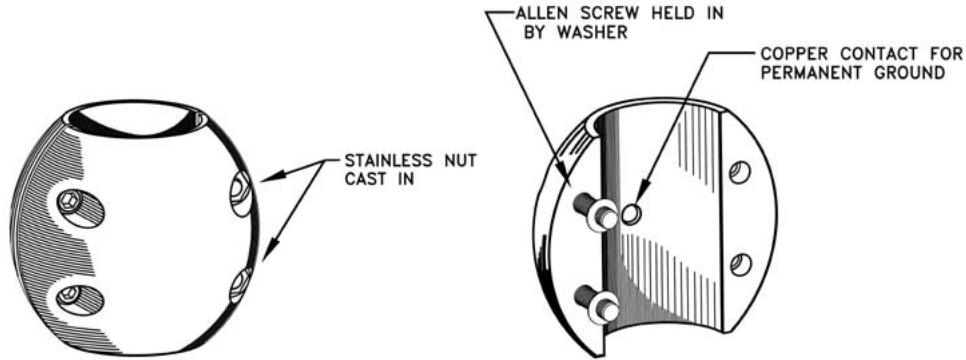
BARREL COLLAR SHAFT ANODES (METRIC)\*



Part No.	Shaft Size		Outer Diameter		Length	
	MM	Thousand's of an inch	MM	Fractions	MM	Fractions
D-25	25 MM	.984	54 MM	2-1/8"	61 MM	2-3/8"
D-30	30 MM	1.181	59 MM	2-5/16"	64 MM	2-1/2"

\*Anodes subject to cavitation will decay more rapidly.  
Anodes should be inspected frequently to assure proper functionality.

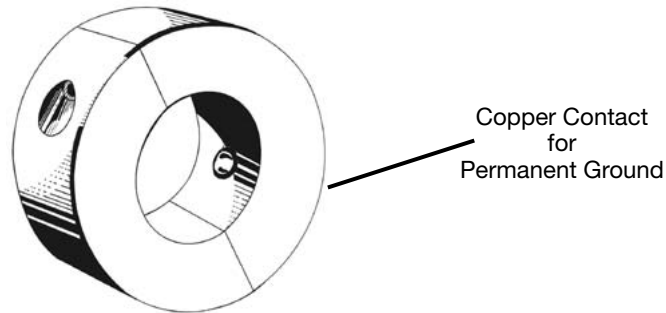
BARREL COLLAR SHAFT ANODES (METRIC)\* CONT.



Part No.	Shaft Size		Outer Diameter		Length	
	MM	Thousand's of an inch	MM	Fractions	MM	Fractions
D-35	35 MM	1.378	67 MM	2-5/8"	70 MM	2-3/4"
D-40	40 MM	1.575	84 MM	3-5/16"	77 MM	3-1/32"
D-45	45 MM	1.772	84 MM	3-5/16"	77 MM	3-1/32"
D-50	50 MM	1.969	87 MM	3-13/32"	80 MM	3-1/8"
D-55	55 MM	2.165	109 MM	4-17/64"	102 MM	4"
D-60	60 MM	2.362	109 MM	4-17/64"	102 MM	4"
D-65	65 MM	2.559	123 MM	4-7/8"	95 MM	3-3/4"
D-70	70 MM	2.755	123 MM	4-7/8"	95 MM	3-3/4"
D-75	75 MM	2.952	123 MM	4-7/8"	95 MM	3-3/4"
D-80	80 MM	3.149	133 MM	5-1/4"	96 MM	3-25/32"
D-85	85 MM	3.346	133 MM	5-1/4"	96 MM	3-25/32"
D-90	90 MM	3.543	142 MM	5-11/16"	95 MM	3-47/64"
D-100	100 MM	3.937	142 MM	5-11/16"	95 MM	3-47/64"

\*Anodes subject to cavitation will decay more rapidly.  
Anodes should be inspected frequently to assure proper functionality.

DONUT COLLAR SHAFT ANODES (STANDARD)\*

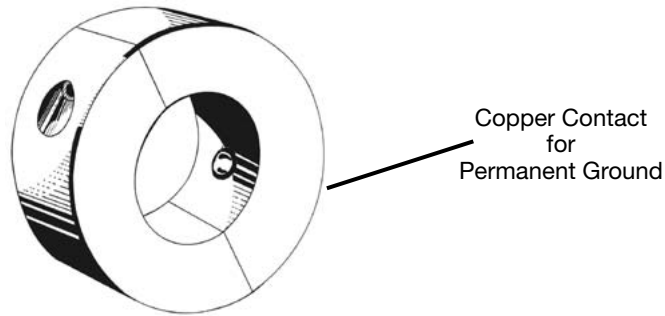


Part Number	Shaft Size	Outer Diameter	Width	Standard Box
C-1	3/4"	2-1/8"	1"	5
C-2	7/8"	2-1/8"	1"	5
C-3	1"	2-1/2"	1-1/4"	10
C-4	1-1/8"	2-1/2"	1-1/4"	5
C-5	1-1/4"	2-1/2"	1-1/4"	10
C-6	1-3/8"	3"	1-1/4"	6
C-7	1-1/2"	3"	1-1/4"	6
C-8	1-3/4"	3-1/2"	1-3/8"	5
C-9	2"	3-1/2"	1-3/8"	5
C-10	2"	4"	1-1/2"	8
C-11	2-1/4"	4"	1-1/2"	8
C-12	2-1/2"	5"	1-1/2"	5
C-12A	2-3/4"	5"	1-1/2"	5
C-13	3"	5"	1-1/2"	5
C-14	3-1/2"	6-1/2"	1-1/2"	4
C-15	4"	6-1/2"	1-1/2"	4

\*Anodes subject to cavitation will decay more rapidly.  
Anodes should be inspected frequently to assure proper functionality.

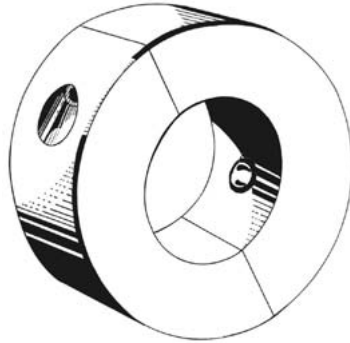


DONUT COLLAR SHAFT ANODES (METRIC)\*



Part No.	Shaft Size		Outer Diameter		Length	
	MM	Thousand's of an inch	MM	Fractions	MM	Fractions
C-25	25 MM	.984	64 MM	2-1/2"	32 MM	1-1/4"
C-30	30 MM	1.181	64 MM	2-1/2"	32 MM	1-1/4"
C-35	35 MM	1.378	78 MM	3-1/16"	32 MM	1-1/4"
C-40	40 MM	1.575	78 MM	3-1/16"	32 MM	1-1/4"
C-45	45 MM	1.772	78 MM	3-1/16"	32 MM	1-1/4"
C-50	50 MM	1.969	78 MM	3-1/16"	32 MM	1-1/4"
C-55	55 MM	2.165	103 MM	4-3/64"	38 MM	1-1/2"
C-60	60 MM	2.362	128 MM	5"	38 MM	1-1/2"
C-65	65 MM	2.559	128 MM	5"	38 MM	1-1/2"
C-70	70 MM	2.755	128 MM	5"	38 MM	1-1/2"

\*Anodes subject to cavitation will decay more rapidly.  
Anodes should be inspected frequently to assure proper functionality.

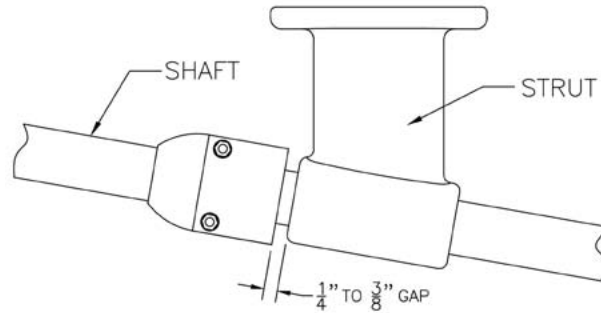
**LARGE COMMERCIAL DONUT COLLAR SHAFT ANODES\***


Part Number	Shaft	O.D. Diameter	Width
MC-17	4 1/2"	8"	1 1/2"
MC-18	4 3/4"	8"	1 1/2"
MC-19	5"	8"	1 1/2"
MC-20	5 1/2"	9 1/2"	1 1/2"
MC-21	6"	9 1/2"	1 1/2"
MC-22	6 1/2"	9 1/2"	1 1/2"

Note: For Added Protection, All Collars Have Cast-In Copper Contacts For Permanent Ground And Cast-In Stainless Bushings

\*Anodes subject to cavitation will decay more rapidly.  
 Anodes should be inspected frequently to assure proper functionality.

BULLNOSE COLLAR SHAFT ANODES (SAILBOAT)\*



STANDARD

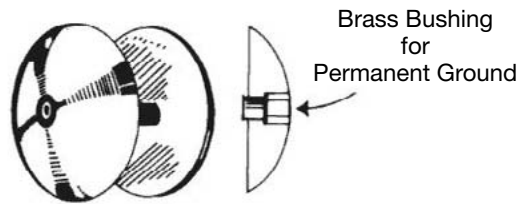
Part Number	Shaft Size
BN-1	3/4"
BN-2	7/8"
BN-3	1"

METRIC

Part Number	Shaft Size
BN-25	25 MM

\*Anodes subject to cavitation will decay more rapidly.  
Anodes should be inspected frequently to assure proper functionality.

## RUDDER ANODES

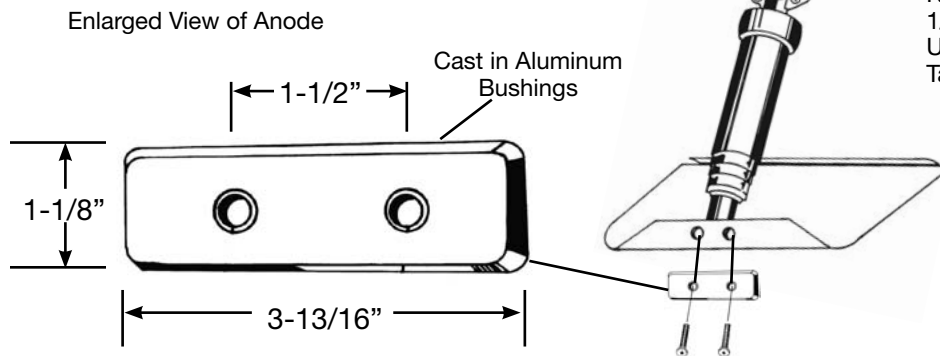


Part No.	Diameter	Standard Box
R-1	1-7/8"	-
R-2	2-13/16"	25
R-3	3-3/4"	20
R-4	5"	8
R-5	5-1/8"	6
R-7	6-1/2"	2

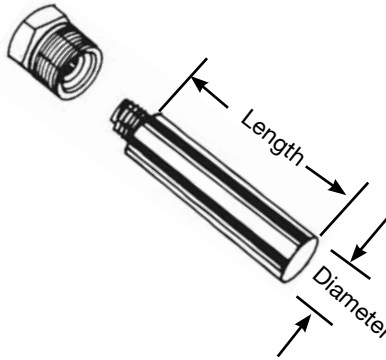
## BENETT TRIM TAB ANODE KIT

Part No.  
BNT-1

Kit Includes Two (2) Anodes and Four (4)  
1/4"-20 x 1-1/4" Long Stainless Screws.  
Uses Existing Holes on Most Popular Trim  
Tabs.

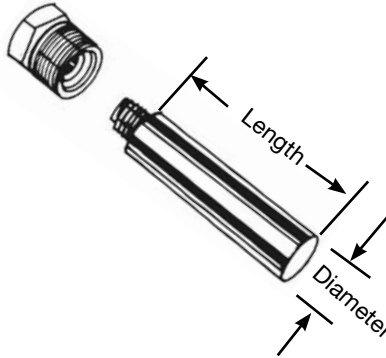


PENCIL ANODES  
ELEMENT WITH BRONZE PLUG OR ELEMENT ONLY



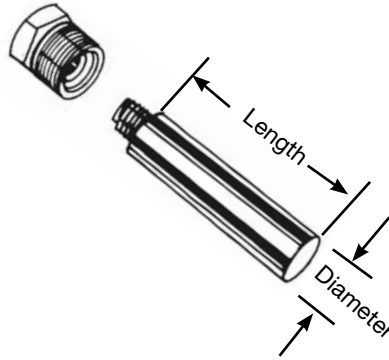
Part No.	Plug N.P.T.	Zinc Diameter	Zinc Length	Zinc Thread Size	Standard Quantity
E-00	1/8"	1/4"	2"	1/4-20	5
E-00A	1/8"	1/4"	1/2"	1/4-20	5
E-0	1/4"	3/8"	1-3/4"	5/16-18	5
E-0A	1/4"	3/8"	2-1/2"	5/16-18	5
E-0B	1/4"	3/8"	3/4"	5/16-18	5
E-0D	1/4"	3/8"	1"	5/16-18	5
E-0E	1/4"	3/8"	1-1/4"	5/16-18	5
E-0F	1/4"	3/8"	1-1/2"	5/16-18	5
E-0H	1/4"	3/8"	1-5/8"	5/16-18	5
E-1	3/8"	1/2"	2"	3/8-16	5
E-1D	3/8"	1/2"	1-3/4"	3/8-16	5
E-1E	3/8"	1/2"	1-1/2"	3/8-16	5
E-1F	3/8"	1/2"	1-1/4"	3/8-16	5
E-1G	3/8"	1/2"	1"	3/8-16	5
E-1H	3/8"	1/2"	1-5/8"	3/8-16	5
E-1J	3/8"	1/2"	5/8"	3/8-16	5
E-2	1/2"	5/8"	2"	7/16-14	5
E-2A	1/2"	5/8"	1-1/4"	7/16-14	5
E-2B	1/2"	5/8"	3"	7/16-14	5
E-2D	1/2"	5/8"	1-3/4"	7/16-14	5

PENCIL ANODES  
ELEMENT WITH BRONZE PLUG OR ELEMENT ONLY CONT.



Part No.	Plug N.P.T.	Zinc Diameter	Zinc Length	Zinc Thread Size	Standard Quantity
E-3	3/4"	3/4"	2"	1/2-13	5
E-3A	3/4"	3/4"	3/4"	1/2-13	5
E-4	3/4"	3/4"	3-3/8"	1/2-13	5
E-5	3/4"	3/4"	3-5/8"	1/2-13	5
E-6	3/4"	3/4"	4-3/4"	1/2-13	
E-6A	3/4"	13/16"	7"	1/2-13	
E-7	1"	1-1/16"	5"	3/4-10	
E-7A	1"	1-1/16"	10"	3/4-10	
E-7B	1"	1"	14"	3/4-10	
E-7D	1"	1"	16"	3/4-10	
E-8	1-1/4"	1-1/4"	2-5/16"	3/4-10	
E-8A	1-1/4"	1-1/16"	6"	3/4-10	
E-8B	1-1/4"	1-1/16"	10"	3/4-10	
E-8D	1-1/4"	1-1/4"	2-1/8"	3/4-10	
E-8E	1-1/4"	1"	14"	3/4-10	
E-8F	1-1/4"	1"	16"	3/4-10	

### CATERPILLAR ENGINE ANODES

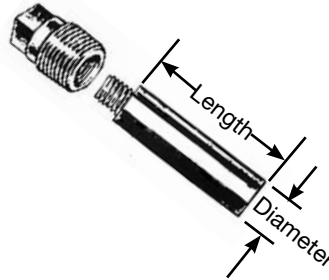


Part No.	Plug N.P.T.	Zinc Diameter	Zinc Length	Zinc Thread Size
6L2016**	3/4"	3/4"	3/4"	1/2-13
6L2280*	3/8"	1/2"	1-5/8"	3/8-16
6L2283**	1/4"	3/8"	2-1/2"	5/16-18
6L2288*	1/2"	5/8"	2-1/2"	3/8-16
6L2289**	1/2"	5/8"	3"	7/16-14
6L2284*	1-1/4"	1-1/4"	2-1/8"	3/4-10
6L2285*	1-1/4"	1-1/4"	2-5/16"	3/4-10
6L3014**	1/4"	3/8"	1-1/2"	5/16-18

\*Element with Bronze Plug or Element Only

\*\*Element with Bronze Plug Only

### GM / DETROIT DIESEL ENGINE ANODES

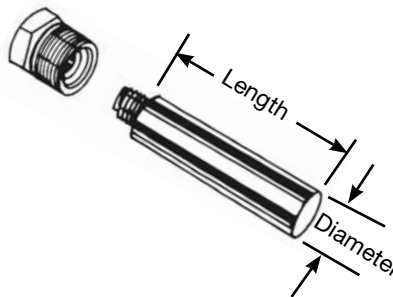


Part No.	Plug N.P.T.	Zinc Diameter	Zinc Length	Zinc Thread Size
8515842*	3/4"	3/4"	2-1/8"	5/8-11"
8515850*	3/4"	3/4"	3-3/8"	5/8-11"
8517479*	1/2"	5/8"	2"	7/16-14"
8925832**	3/8"	1/2"	1-1/2"	3/8-16"

\*Element with Bronze Plug or Element Only

\*\*Element with Bronze Plug Only

### ISUZU ENGINE ANODES



Part No.	Plug N.P.T.	Zinc Diameter	Zinc Length	Zinc Thread Size
E-2A*	1/2"	5/8"	1-1/4"	7/16-14"

\*Element with Bronze Plug or Element Only

\*\*Element with Bronze Plug Only



### RENAULT ENGINE ANODES

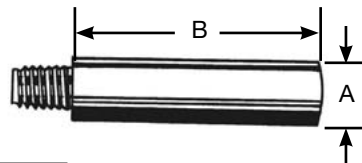


C-94619

Part No.	Zinc Thread Size
C-94619*	M10 x 1.5MM Pitch

\*Element with Bronze Plug or Element Only

### ZRN REPLACEMENT ELEMENTS

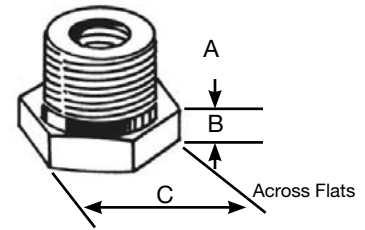


Part No.	PENCIL DIMENSIONS		Anode Thread	Plug NPT Size
	A In.	A MM		
P-375	.375	9.5	3/8 - 16 NC	1/4"
P-500	.500	12.7	3/8 - 16 NC	3/8"
P-625	.625	15.9	3/8 - 16 NC	1/2"
P-750	.750	19.1	5/8 - 11 NC	3/4"
P-840*	.840	21.3	1/2 - 14 NPT	1"
P-1050	1.050	26.7	3/4 - 10 NC	1"

Available in  
inch increments  
from 1" - 6"

\*Available in 6" Length Only

### ZRN BRASS RETAINING PLUGS

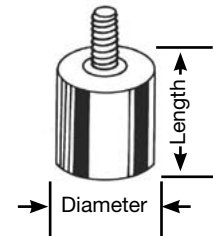
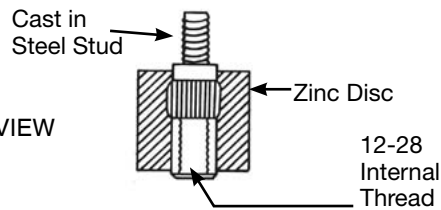


Part No.	PLUG DIMENSIONS					Internal Thread	Use with Pencil
	A	B		C			
	(NPT Size)	In.	MM	In	MM		
PP-250-B	1/4"	.250	6.6	.562	14.3	3/8 - 16 NC	P-375
PP-375-B	3/8"	.250	6.6	.690	17.5	3/8 - 16 NC	P-500
PP-500B	1/2"	.250	6.6	.875	22.2	3/8 - 16 NC	P-625
PP-750-B	3/4"	.312	7.9	1.062	26.9	5/8 - 11 NC	P-750
PP-1000-B	1"	.500	12.7	1.50	38.1	3/4 - 10 NC	P-1050
PP-1250-B	1 1/4"	.375	9.5	1.750	44.6	3/4 - 10 NC	P-1050

### ZDM REPLACEMENT ELEMENTS

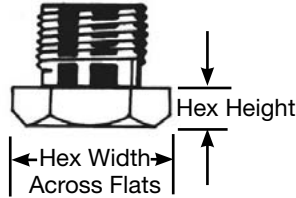


CROSS SECTION VIEW



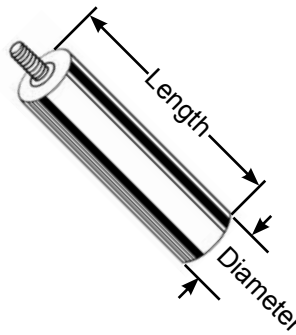
Part No.	Plug N.P.T.	Zinc Diameter	Zinc Length	Federal Stock Number
CG-500	3/8"	.500" / 19.1MM	.750" / 19.1MM	5340-725-3997
CG-625	1/2"	.625" / 15.9MM	.750" / 19.1MM	5340-725-3998
CG-825	3/4"	.825" / 21.0MM	.750" / 19.1MM	5340-725-3999
CG-1050	1"	1.050" / 26.7MM	.750" / 19.1MM	5340-682-2174

## ZDM BRASS RETAINING PLUGS



Part No.	Plug N.P.T.	Hex Height	Hex Width	Federal Stock Number	Internal Thread	Use with Element
CGP-375	3/8"	.3125" / 7.9MM	.750" / 19.1MM	-	12-28	CG-500
CGP-500	1/2"	.375" / 9.5MM	1.00" / 25.4MM	-	12-28	CG-625
CGP-750	3/4"	.375" / 9.5MM	1.25" / 31.8MM	5340-753-3920	12-28	CG-825
CGP-1000	1"	.500" / 12.7MM	1.50" / 38.1MM	5340-753-3921	12-28	CG-1050

## BUKH DIESEL ANODE



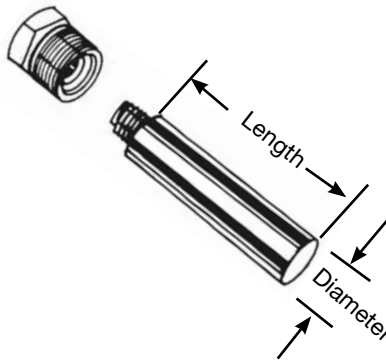
Part No.	Stud Thread	Zinc Diameter	Zinc Length
ZBU1	5 MMX .8 pitch	11.50 MM	33 MM

### YANMAR ENGINE ANODES



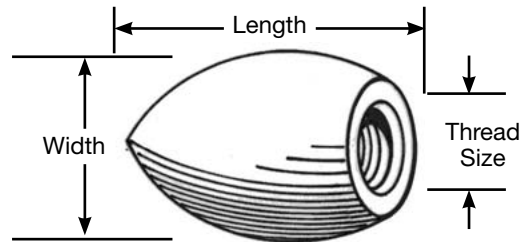
Part No.	Zinc Thread Size Metric
C-272100-200 300	M8x1.25MM pitch
C-10421141-300	M8x1.25MM pitch
C-300 (For 300 H.P. Engines)	M8x1.25MM pitch

### CUMMINS DIESEL ENGINE ANODE



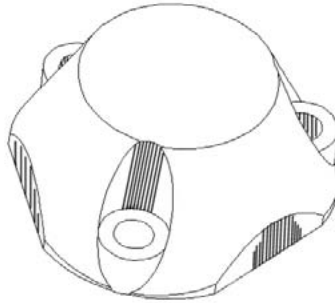
Part No.	Plug N.P.T.	Zinc Diameter	Zinc Length	Zinc Thread Size	Standard Quantity
68241	1/2"	5/8"	2"	7/16-14	5

ACORN NUT PROPELLER ANODES (ESSEX STYLE)



Part No.	Thread Size	Length	Width
ZPC-1	3/4-10	2-1/8"	1-1/2"
ZPC-2	3/4-10	2-15/16"	1-7/8"
ZPC-3	3/4-10	3-1/16"	2-7/32"

### AUTO PROP ANODES

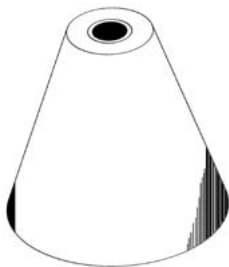


Part No.	Propeller
H-5	H-5, H-5BB, Sail Drive
H-6	H-6
H-9	H-9

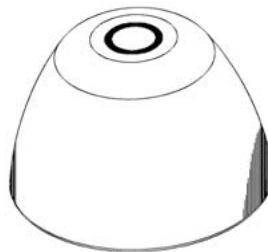
\*Screws Included

\*After Installing Anode Check for Proper Propeller Blade Clearance Before Starting Engine.

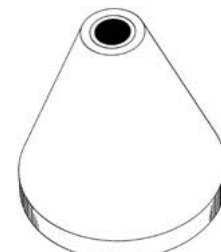
### AUTO-STREAM / MARTEC® PROPELLER ANODES



30002



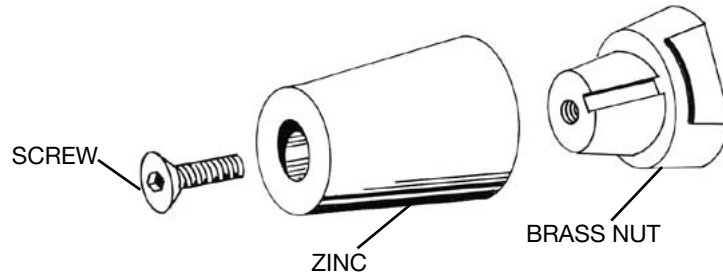
S1-S2



20002

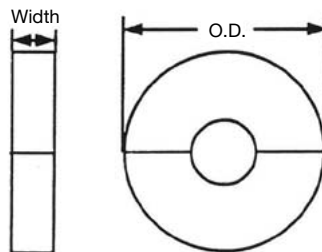
Part No.	Description
30002	Prop 3000
20002	Prop 2000
S1-S2	Prop S1 & S2

## BEN-NET-EAU PROPELLER ANODES & BRASS NUT KITS



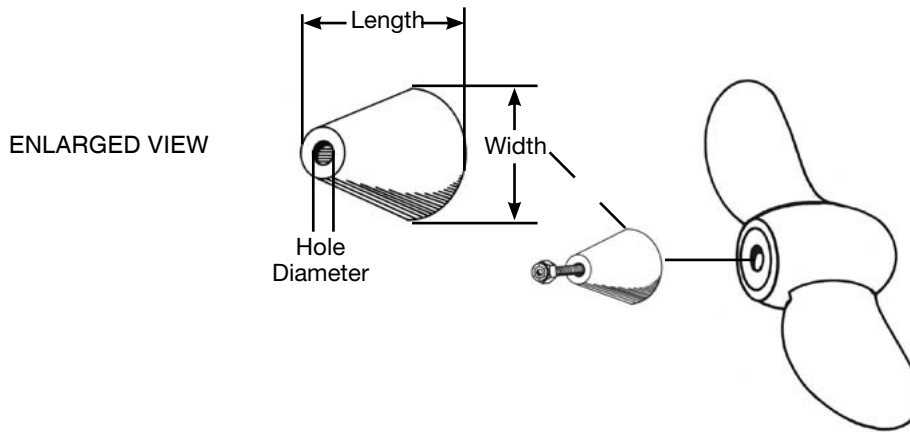
Zinc Only Part No.	Brass Nut Kit Only Part No.	Shaft Thread Size	Shaft Size	Screw Only Part No.
22/25MM	2250	M16 x 1.5	22MM - 25MM	SM 6 x 16
30MM	2300	M20 x 1.5	30MM	SM 8 x 20
35MM	2350	M24 x 2	35MM	SM 8 x 20
40MM	2400	M24 x 2	40MM	SM 8 x 25
45MM	2450	M30 x 2	45MM	SM 10 x 25

## BEN-NET-EAU DONUT COLLAR SHAFT ANODES



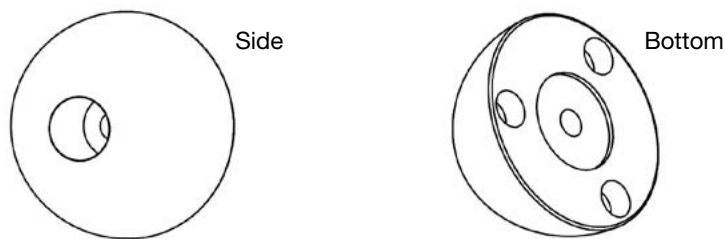
Part Number	Shaft Size	O.D.	Width
BD-25	25MM	3"	5/8"
BD-30	30MM	3"	5/8"
BD-35	35MM	3"	5/8"

### FEATHERING PROPELLER ANODES



Part No.	Length	Width	Hole Diameter
2-BFP	2-11/32"	2-1/4"	5/16"
3-BFP	2-15/16"	2-23/32"	3/8"

### FLEX-O-FOLD PROPELLER ANODE

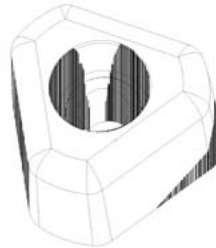


Part No.	Length	Width
FX	1-1/2"	2-5/8"

\*After Installing Anode Check for Proper Propeller Blade Clearance Before Starting Engine.



### GORI PROPELLER AFT ANODE



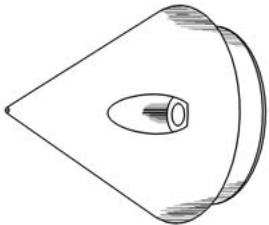
Part No.	Propeller Size
140721	15" - 16.5"
140731	18" - 20"
140741	22" - 26"

### GORI SHAFT COLLAR ANODES

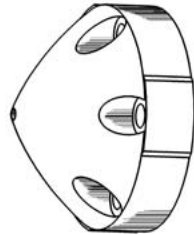


Part Number	Propeller Size
1552	15" - 16.5"
1553	18" - 20"
1554	22" - 26"

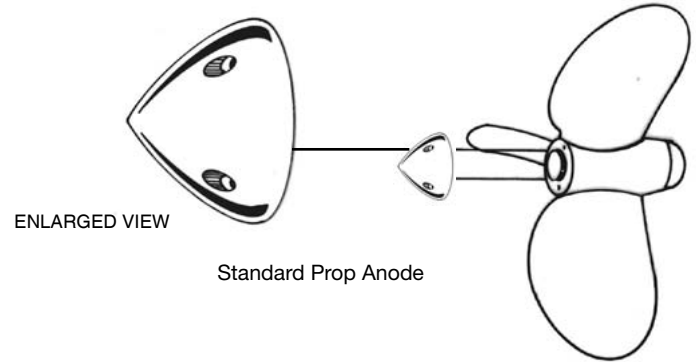
### MAXI-PROP ANODES



Two Blade Prop Anode



Universal Anode



Standard Prop Anode

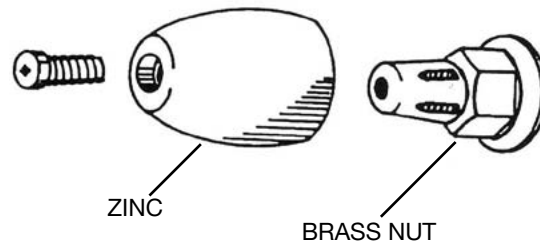
Part No.	Shaft Size Inches	Shaft Size Millimeters	Description
63M	3/4, 7/8, 1, 1-1/8	22, 25, 28	For 2001 and Older Propellers Only
63M-2	3/4, 7/8, 1, 1-1/8	22, 25, 28	For 2002 Propellers
63M-3	3/4, 7/8, 1, 1-1/8	22, 25, 28	For 2003 Propellers and Newer
63M-4	3/4, 7/8, 1, 1-1/8	22, 25, 28	Universal Anode
63M-2B	3/4, 7/8, 1, 1-1/8	22, 25, 28	For Two Blade Propellers
70M	1-1/4, 1-3/8	30, 35	For 2001 and Older Propellers Only
70M-2	1-1/4, 1-3/8	30, 35	For 2002 Propellers
70M-3	1-1/4, 1-3/8	30, 35	For 2003 Propellers an Newer
70M-4	1-1/4, 1-3/8	30, 35	Universal Anode
83M	1-1/2, 1-3/4	38, 40	For 2003 and Older Propellers Only
83M-4	1-1/2, 1-3/4	38, 40	Universal Anode
100M	2	45, 50	

\*After Installing Anode Check for Proper Propeller Blade Clearance Before Starting Engine.

### MAXI-PROP SCREWS

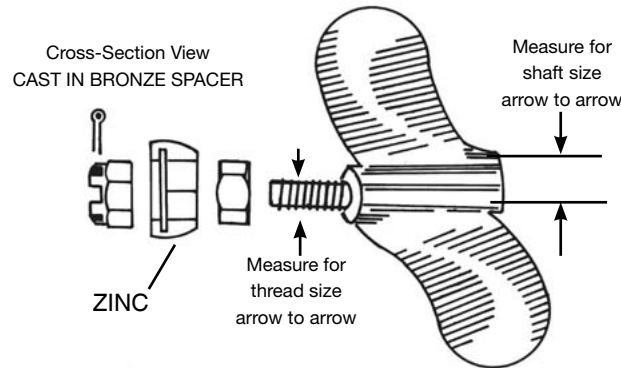
Part No.	Description
63-70	Metric Screws for 63M, 63M-2, 70M, 70M-2
83-100	Metric Screws for 83M, 100M
N63-N70	Metric Screws for 63M-3, 70M-3
U83	Metric Screws for 83M-4
U63-U70	Metric Screws for 63M-4, 70M-4
63-2B	Metric Screws for 63M-2B

### BULLET STYLE PROPELLER ANODES & BRASS NUT KITS



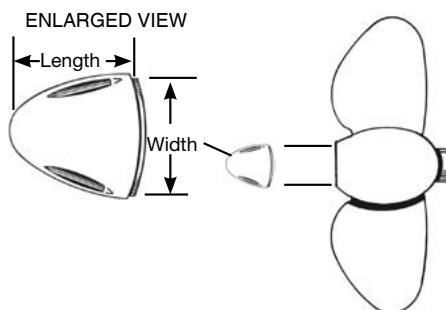
Zinc Only Part No.	Zinc Outside Diameter	Brass Nut Kit Only Part No.	Shaft Size	Thread Size
AA	1-1/4"	AN	3/4"	1/2 - 13
BB	1-5/8"	BN	7/8"	5/8 - 11
CC	2"	CN	1" & 1-1/8"	3/4 - 10
DD	2-5/16"	DN	1-1/4"	7/8 - 9
EE	2-1/2"	EN	1-3/8"	1 - 8
FF	2-3/4"	FN	1-1/2"	1-1/8 - 7
GG	2-13/16"	GN	1-3/4"	1-1/4 - 7
HH	3-13/64"	HN	2"	1-1/2 - 6

PROPELLER NUT ANODES & BRASS NUT KITS (PATENT #259811)



Zinc Only Part No.	Brass Nut Kit Only Part No.	Shaft Size	Thread Size
P-1	PN-1	3/4"	1/2 - 13
P-2	PN-2	7/8"	5/8 - 11
P-3&4	PN-3&4	1" & 1-1/8"	3/4 - 10
P-5	PN-5	1-1/4"	7/8 - 9
P-6	PN-6	1-3/8"	1 - 8
P-7	PN-7	1-1/2"	1-1/8 - 7
P-8	PN-8	1-3/4"	1-1/4 - 7
P-9	PN-9	2"	1-1/2 - 6

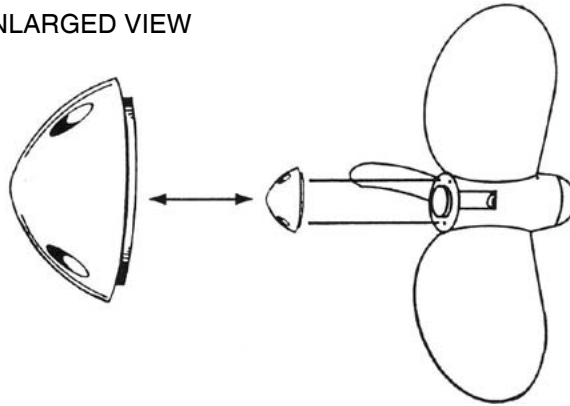
PROWELL PROPELLER ANODES



Part Number	Length	Width
GER-1	2-1/2"	2-1/2"
GER-2	2-5/8"	3-1/4"

## VARI-PROP ANODES

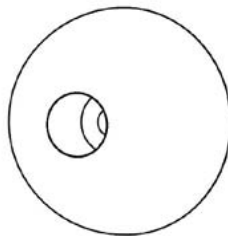
ENLARGED VIEW



Part No.	Shaft Size Inches	Shaft Size Millimeters	Propellar Part No.
DF-80	.750 to 1.00	20 to 25	DF-80
DF-107	1.00 to 1.400	25 to 35	DF-107
DF-112	1.380 to 1.630	35 to 40	DF-112

\*After Installing Anode Check for Proper Propeller Blade Clearance Before Starting Engine.

## VARIPROFILE PROPELLER ANODES



Part No.	Propeller Model
VP-64	Up-64 2 & 3 blade
VP-76	Up-76 2 & 3 blade



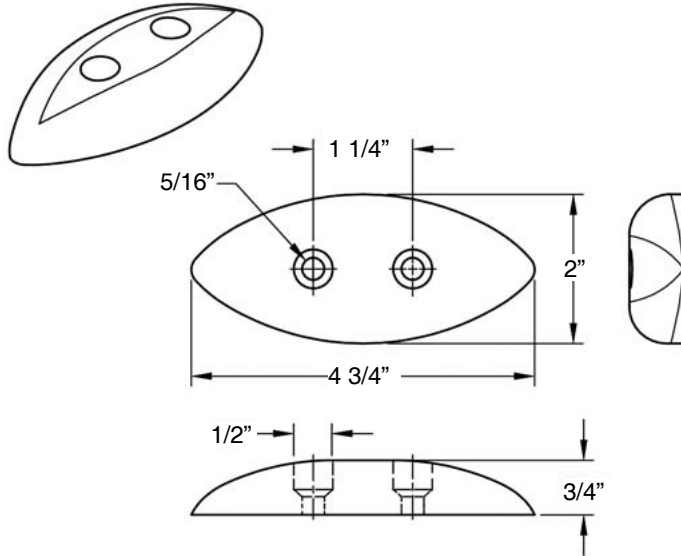
5300 95th Street North  
St. Petersburg, FL 33708

727.397.6076 phone  
727.398.6079 fax  
sales@campcompany.com  
www.campcompany.com

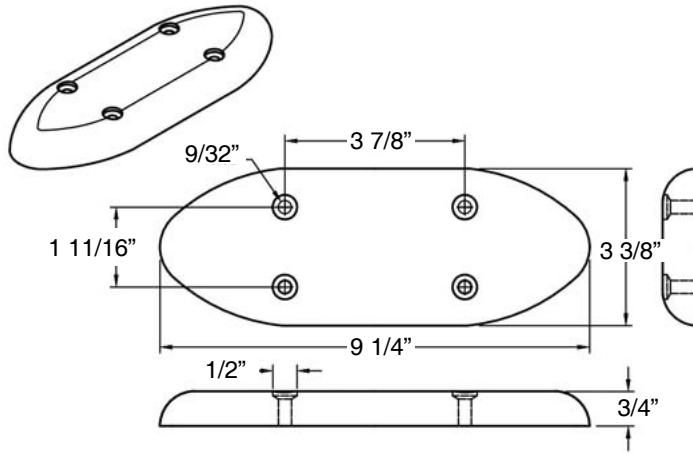
### BOLT-ON HULL ANODES

Part No.	Length	Width	Thickness	Weight	Standard Box
A-24	4-3/4"	2"	3/4"	12 oz.	25
A-25	9-1/4"	3-3/8"	3/4"	3lb. 5 oz.	10
A-30	6-1/4"	2-3/4"	5/8"	1lb. 13 oz.	12
A-40	7-1/4"	2-3/4"	1/2"	2lb.	10
A-90	9-1/4"	3-3/8"	53/64"	3lb. 5 oz.	5
N-1	8-5/8"	3-3/16"	1/2"	2lb. 1 oz.	10
DP-1	11-1/2"	5-1/4"	5/8"	-	4
DP-2	5-3/4"	3-3/4"	1/2"	-	-
ZHC-2	5-3/4"	2-5/8"	3/4"	2 lb.	-
ZHCR-3	6-1/8"	2-5/8"	3/4"	2 lb.	-
ZHC-3	6-1/4"	2-3/4"	3/4"	2 lb.	10
ZHC-5	8"	4"	3/4"	5 lb.	5
ZHC-11	12"	3"	1-1/2"	11 lb.	2
ZHC-15	15"	3"	1-1/2"	13 lb.	2
ZHC-17	12"	6"	1"	17 lb.	2
ZHC-23	24"	3"	1-5/16"	23 lb.	-
ZHC-24	12"	6"	1-1/4"	-	-
ZHC-25	12"	6"	1-1/4"	-	-
ZHC-47	12"	6"	2-1/2"	-	-
ZL-18	17-7/8"	3-3/16"	1-1/4"	-	-

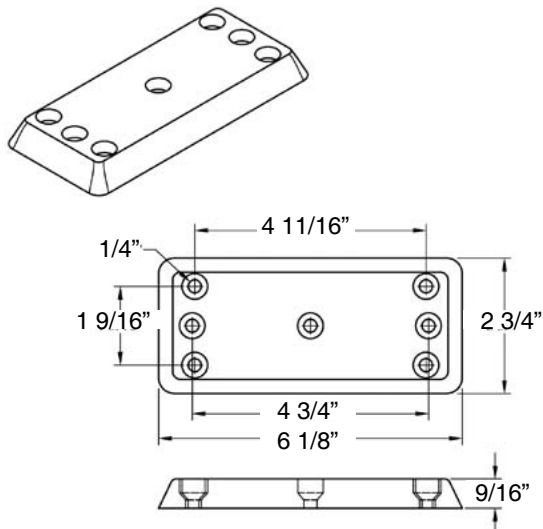
### BOLT-ON HULL ANODES CONT.



A-24

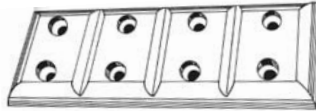


A-25

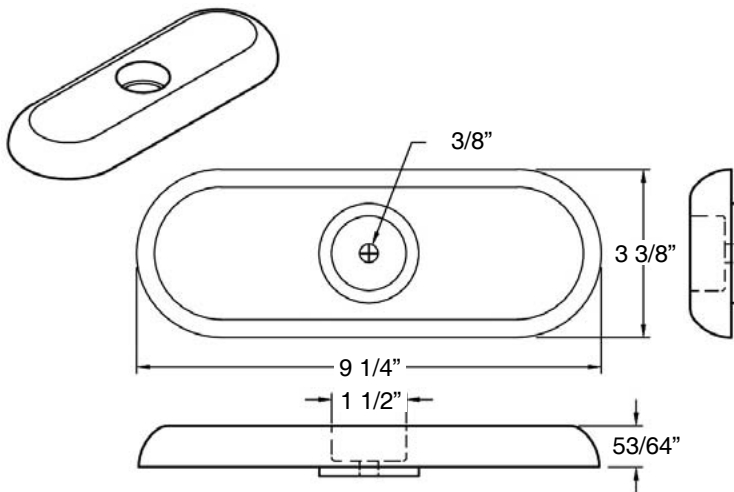


A-30

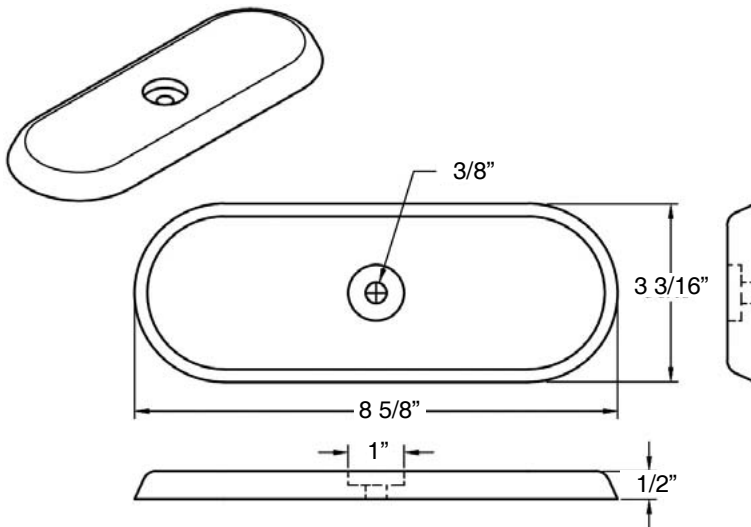
BOLT-ON HULL ANODES CONT.



A-40



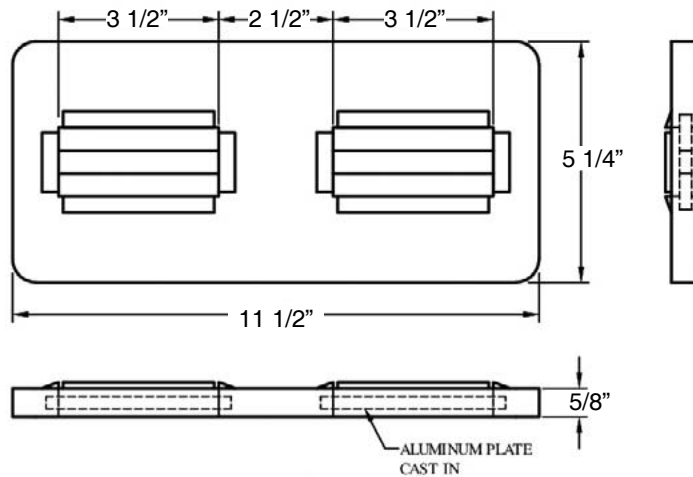
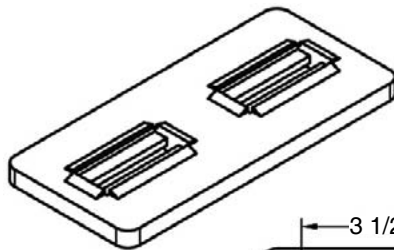
A-90  
(Pacemaker Style)



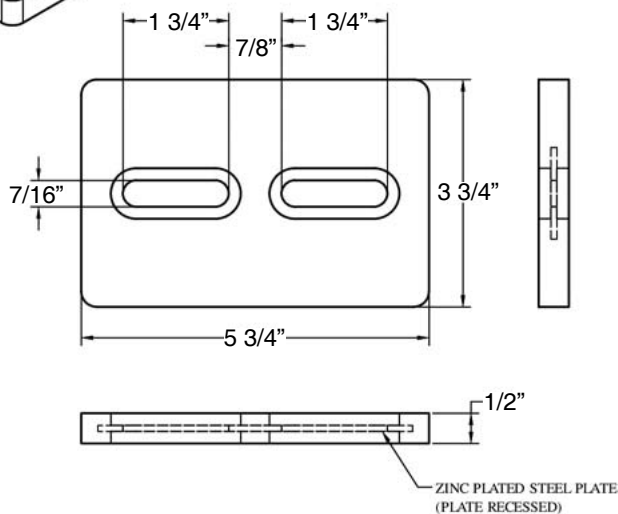
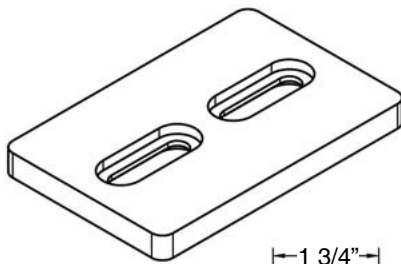
N-1



## BOLT-ON HULL ANODES CONT.

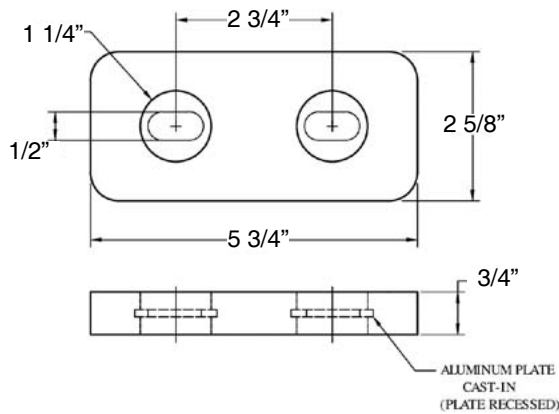
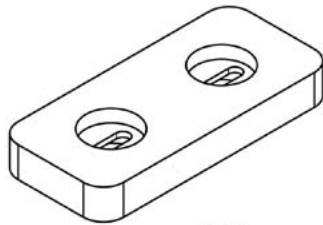


DP-1  
(Divers Plate)



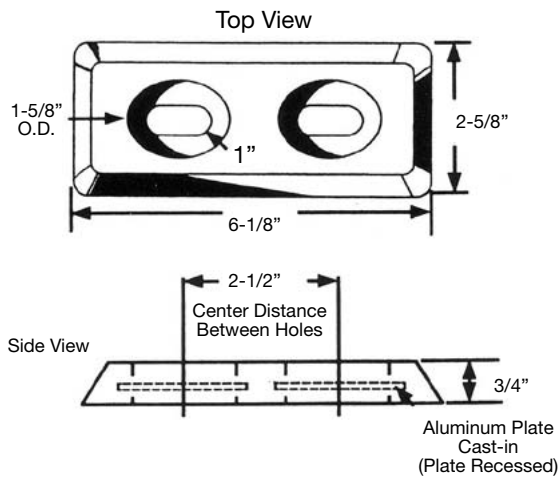
DP-2  
(Divers Plate Small)

## BOLT-ON HULL ANODES CONT.

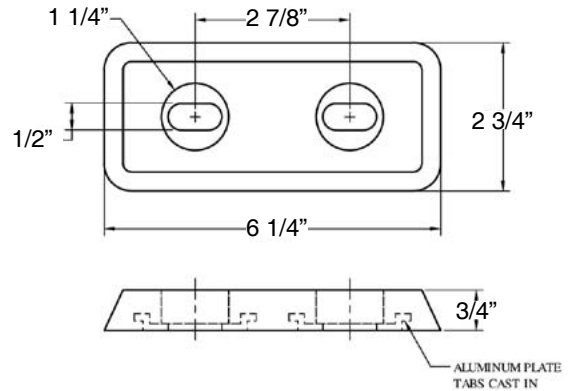
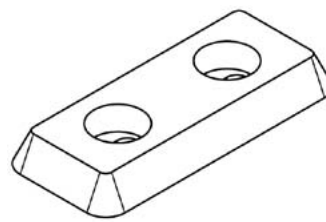


ZHC-2

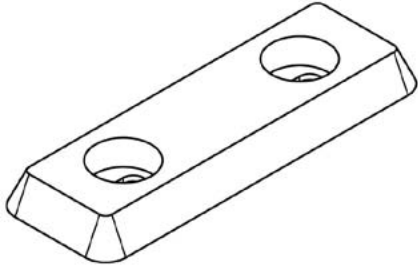
ZHCR-3



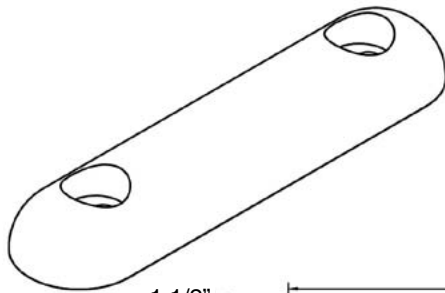
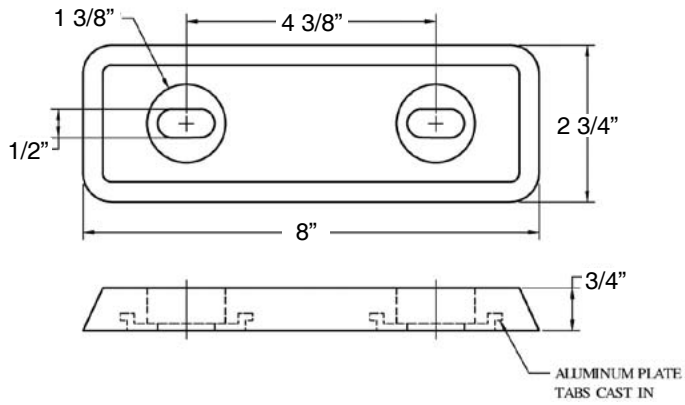
ZHC-3



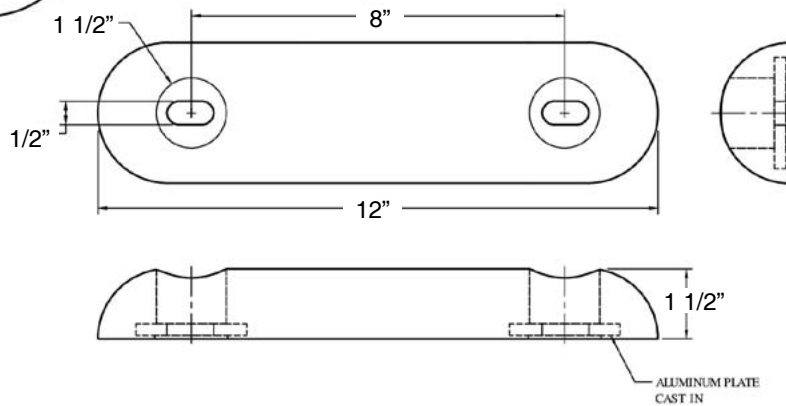
BOLT-ON HULL ANODES CONT.



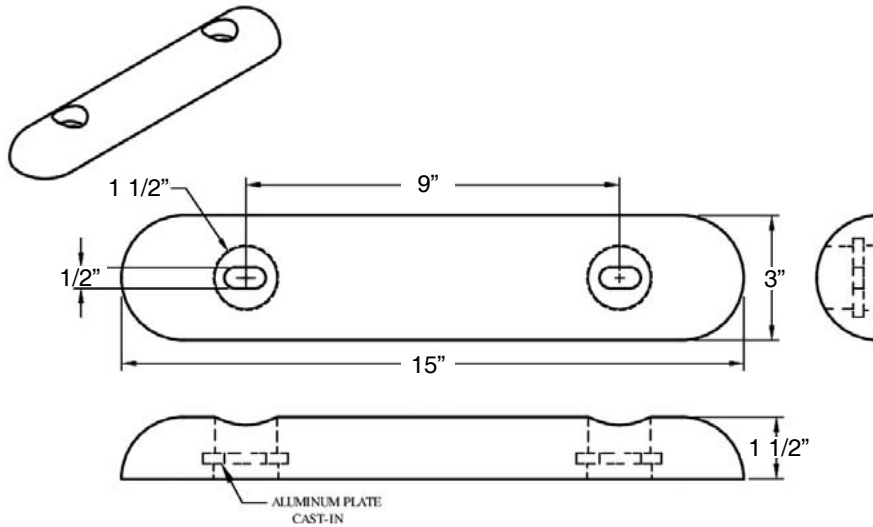
ZHC-5



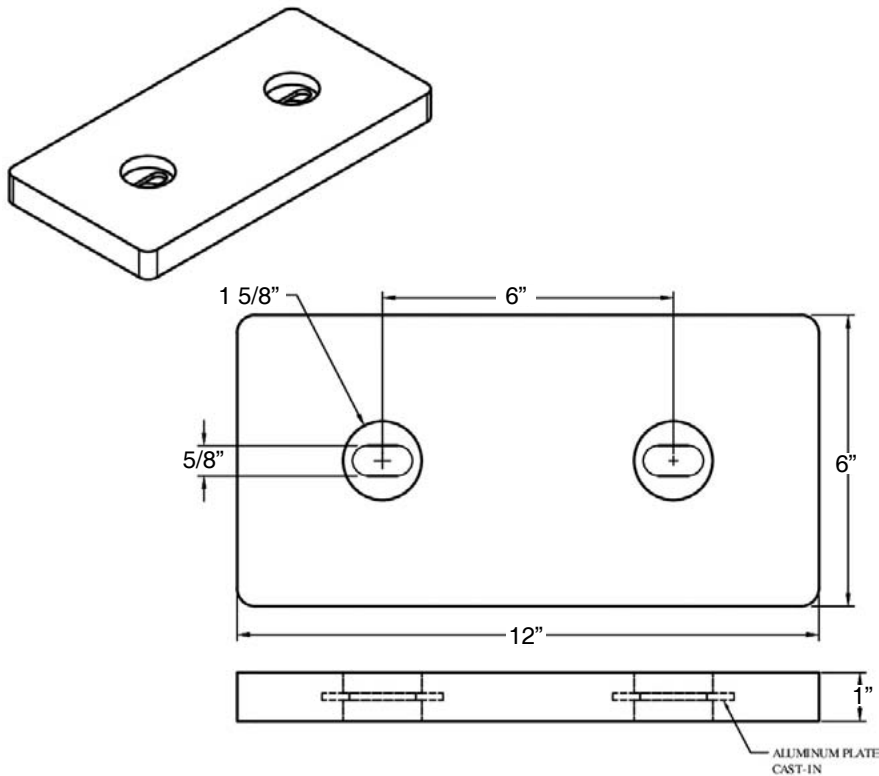
ZHC-11



### BOLT-ON HULL ANODES CONT.



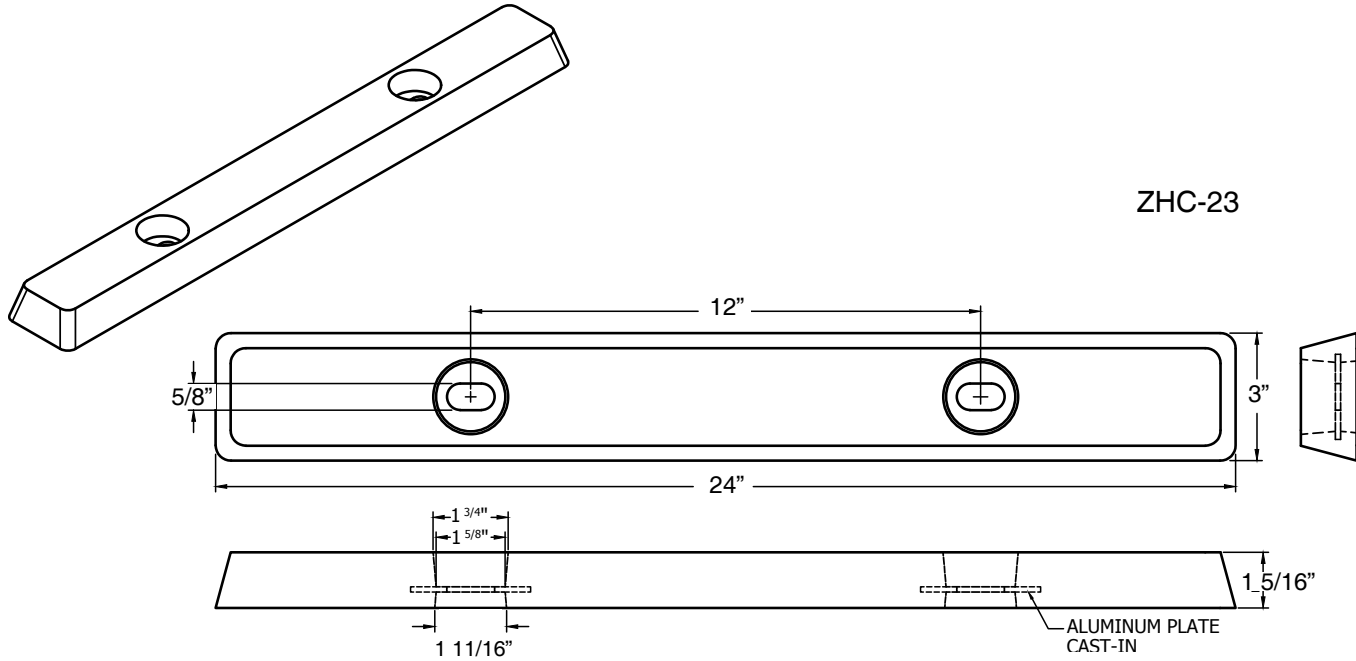
ZHC-15



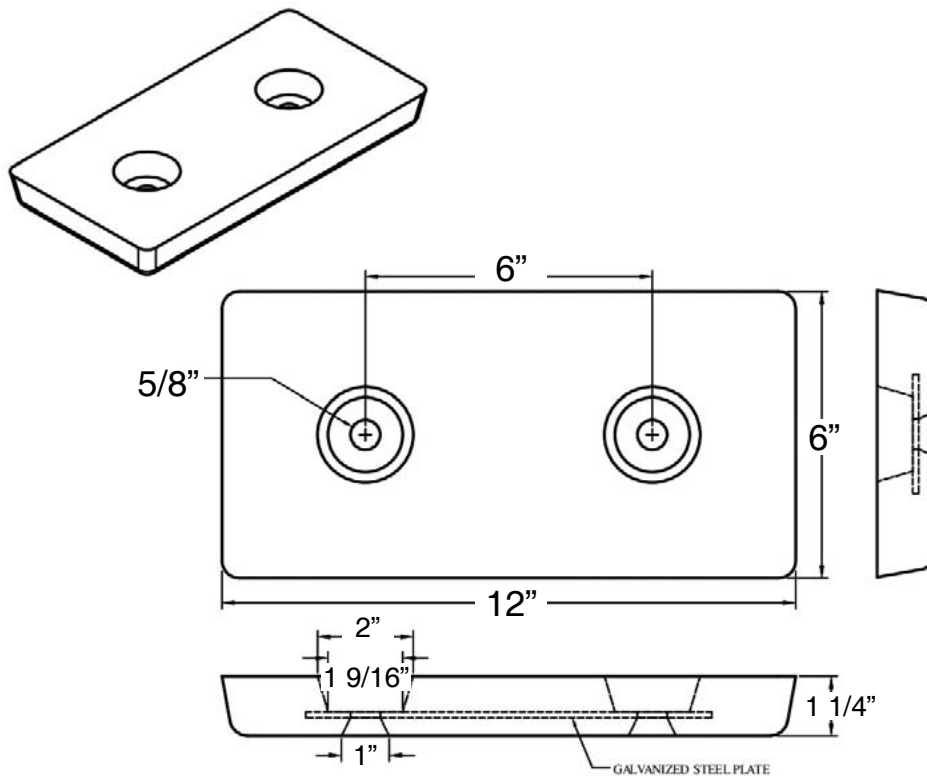
ZHC-17

BOLT-ON HULL ANODES CONT.

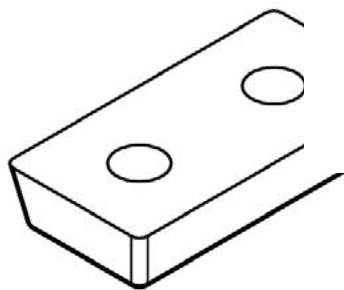
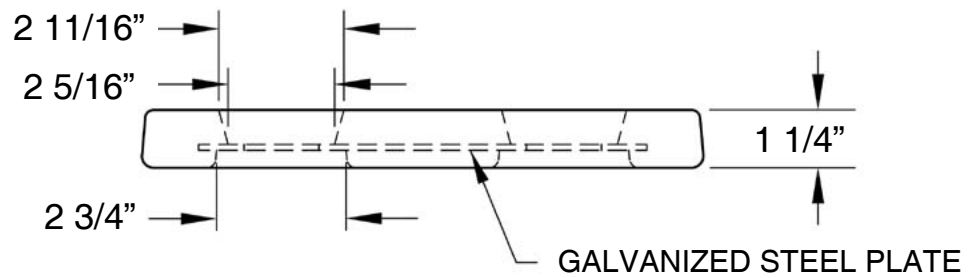
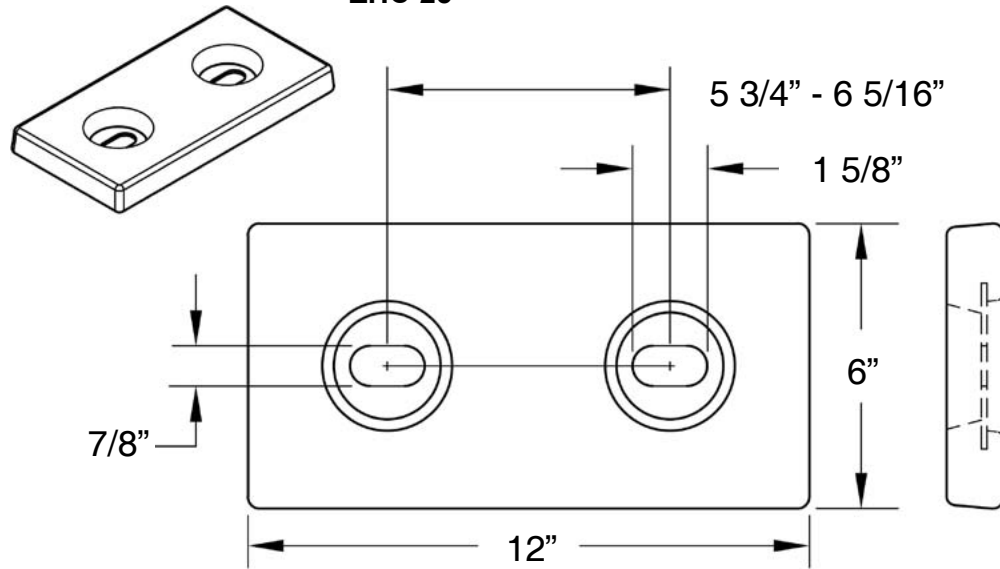
ZHC-23



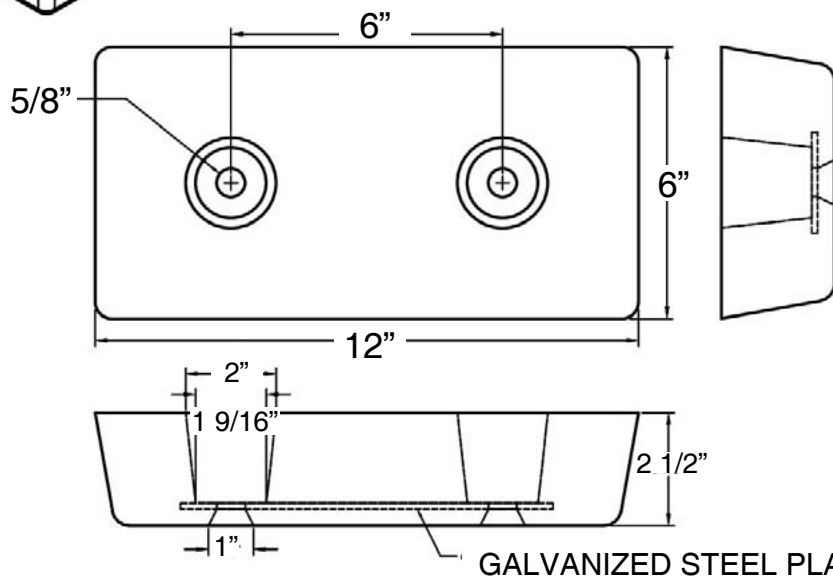
ZHC-24



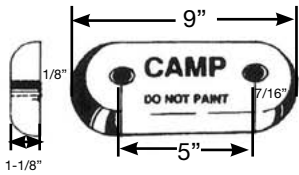
### ZHC-25



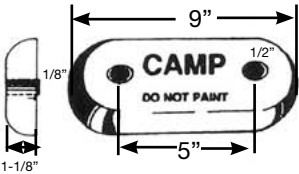
### ZHC-47



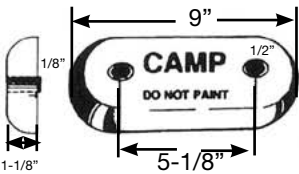
BOLT-ON HULL ANODES CONT.



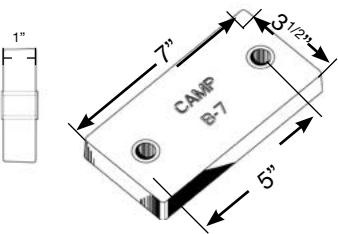
**B-12**  
Tapered Zinc Anode  
with two cast-in 7/16" I.D.  
Bronze Bushings.  
Nominal Weight - 9 lbs.



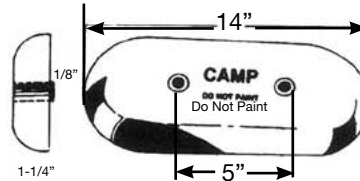
**B-14**  
Tapered Zinc Anode  
with two cast-in 1/2" I.D.  
Steel Bushings.  
Nominal Weight - 9 lbs.



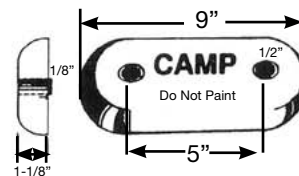
**B-15**  
Tapered Zinc Anode  
with two cast-in 1/2" I.D.  
Steel Bushings.  
Nominal Weight - 9 lbs.



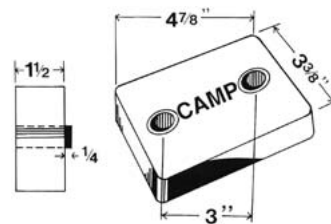
**B-7**  
Rectangular Zinc Anode  
with two cast-in 7/16" I.D.  
Bronze Bushings.  
Nominal Weight - 7 lbs.



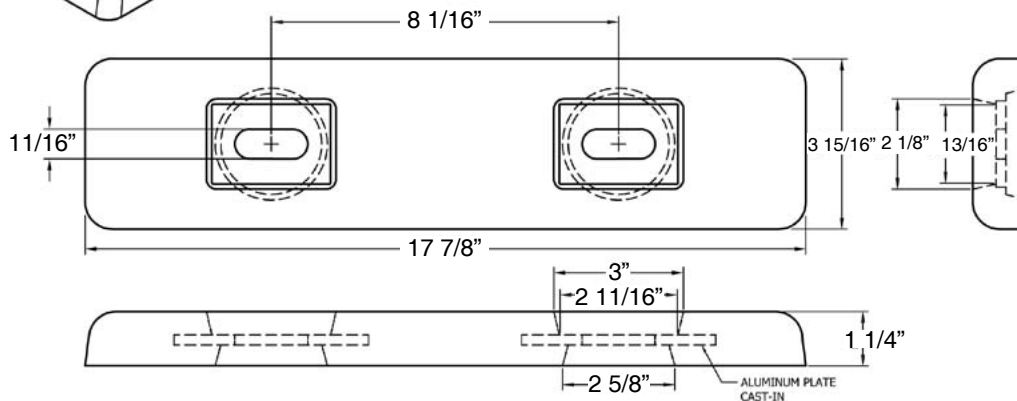
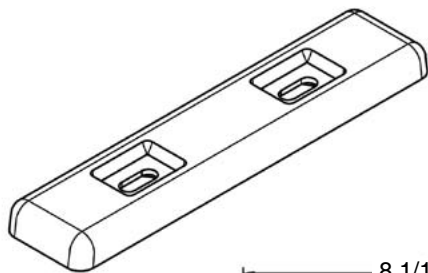
**B-24**  
Tapered Zinc Anode  
with two cast-in 7/16" I.D.  
Bronze Bushings.  
Nominal Weight - 23 lbs.



**B-14AL**  
Tapered Aluminum Anode  
with two cast-in 1/2" I.D.  
Steel Bushings.  
Nominal Weight - 9 lbs.



**B-6**  
Rectangular Zinc Anode  
with two cast-in 7/16" I.D.  
Bronze Bushings  
Nominal Weight - 6 lbs



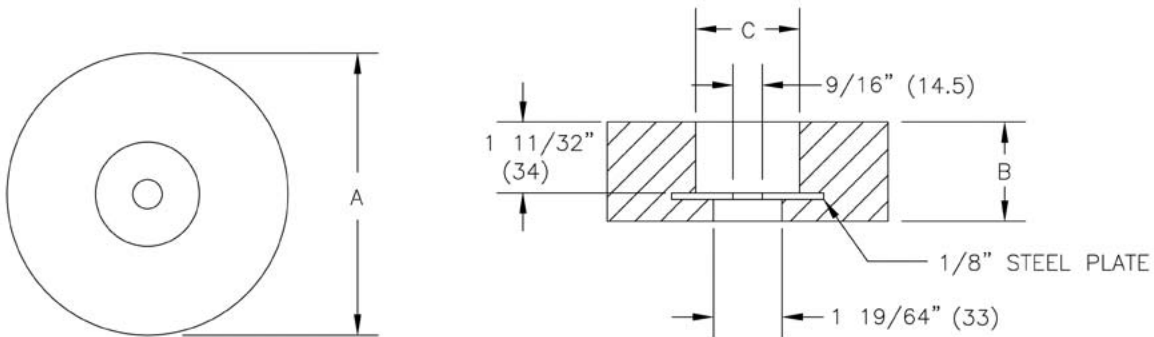
ZL-18

### TEAR DROP ANODES



Part No.	Length	Center Distance Between Holes	Standard Box
T-20	3-1/2"	1-5/16"	25
T-21	5-1/4"	1-5/8"	25

### FLANGED DISC ANODES



DIMENSIONS ARE IN INCHES  
( ) = mm

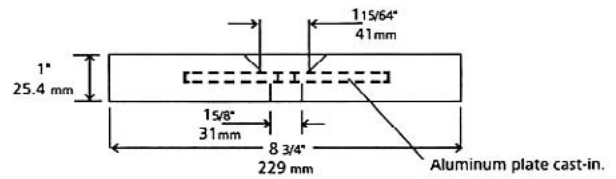
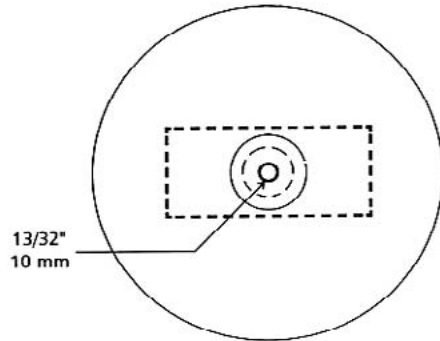
Part No.	ANODE DIMENSIONS					
	A		B		C	
	In.	MM	In.	MM	In	MM
DA-130	5-1/2"	140	1-13/16"	30	2"	50
DA-131	5-1/2"	140	1-3/8"	35	2-3/16"	55
DA-140	4-15/16"	125	1-1/2"	38	1-25/32"	45
DA-152	5-1/8"	135	2"	50	2"	50
DA-154	4-3/4"	120	1-3/8"	35	1-25/32"	45



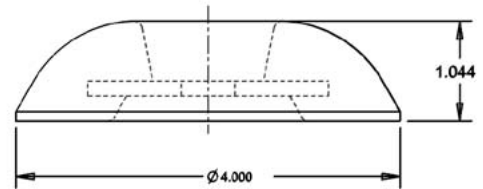
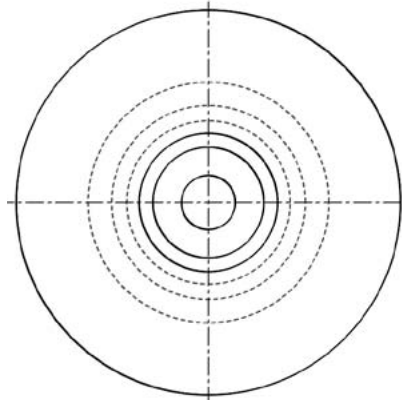
### DISC ANODES

Part No.

ZD-55

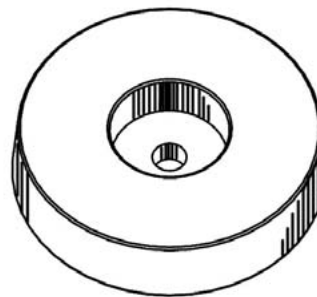
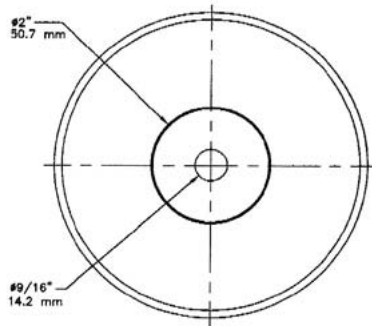
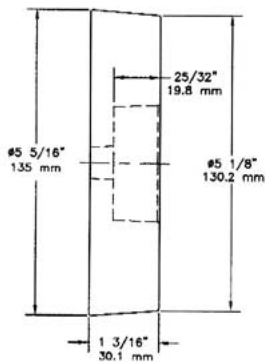


ZD-56



### PERINI NAVI ANODE

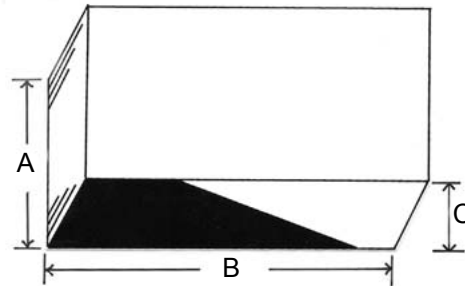
Part No.  
Perini



PERINI

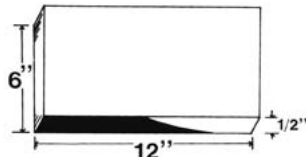
## ZINC PLATES

### PLAIN ZINC PLATE

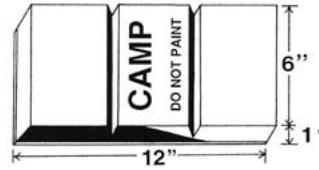


Part No.	Dimension A Width (Inches)	Dimension B Length (Inches)	Dimension C Thickness (Inches)
ZP-2	6	12	1/2
ZP-3	4	6	1/2
ZP-4	6	6	1/2
ZP-5	6	6	1
ZP-10	2	24	1/2
ZP-12	6	12	2 7/8
ZP-13	8	8	1
ZP-14	10	10	1
ZP-15	12	12	1
ZP-16	8	16	1/2
ZP-17	4	7	2
ZP-18	6	12	1
ZP-19	3	3	1/2
ZP-20	3	3	1
ZP-21	3	6	1/2
ZP-22	3	6	1
ZP-23	2	6	1 1/2
ZP-33	6 1/2	12 1/8	1 1/2
ZP-34	7	7	1
ZP-35	9	9	1

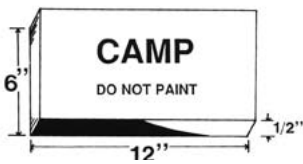
ZINC PLATES CONT.



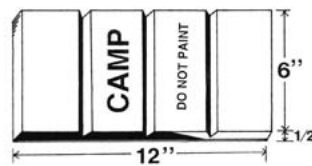
**ZP-1**  
Zinc Plate 6" x 12" x 1/2"  
Smooth Finish, Similar to  
Roll Zinc  
Nominal Weight - 9 lbs



**ZP-7**  
Zinc Plate 6" x 12" x 1" -- 2  
Score. This can be broken  
into 3 Sections.  
Nominal Weight - 17 lbs



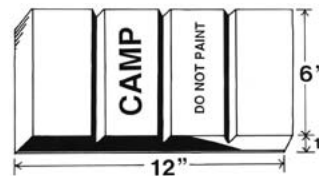
**ZP-2**  
Zinc Plate 6" x 12" x 1/2"  
Nominal Weight - 9 lbs  
**CAST ZINC CANNOT BE BENT**



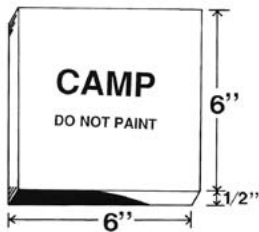
**ZP-8**  
Zinc Plate 6" x 12" x 1/2" -- 3  
Score. This can be broken  
into 4 Sections.  
Nominal Weight - 9 lbs



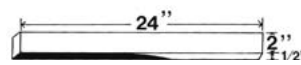
**ZP-3**  
Zinc Plate 4" x 6" x 1/2"  
Nominal Weight - 3 lbs



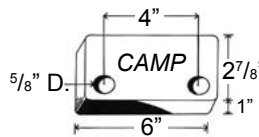
**ZP-9**  
Zinc Plate 6" x 12" x 1" -- 3  
Score. This can be broken  
into 4 Sections.  
Nominal Weight - 17 lbs



**ZP-4**  
Zinc Plate 6" x 6" x 1/2"  
Nominal Weight - 4 1/2 lbs



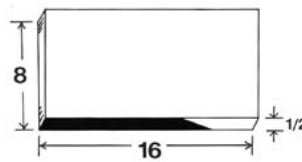
**ZP-10**  
2" x 24" x 1/2"  
Nominal Weight - 7 lbs



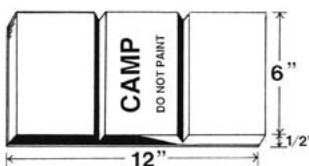
**ZP-11**  
6" x 2 7/8" x 1"  
5/8" Dia. Hole on 4" Centers



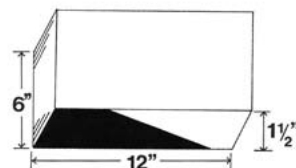
**ZP-5**  
Zinc Plate 6" x 6" x 1"  
Nominal Weight - 9 lbs



**ZP-16**  
Zinc Plate 8" x 16" x 1/2"

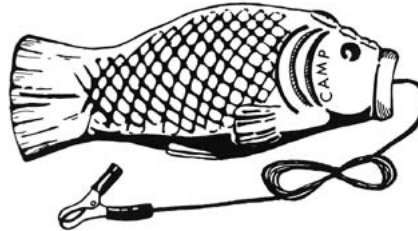


**ZP-6**  
Zinc Plate 6" x 12" x 1/2"  
2 Score. This can be broken  
into 3 Sections.  
Nominal Weight - 9 lbs



**ZP-32**  
Zinc Plate 6" x 12" x 1 1/2"

## GROUPEE



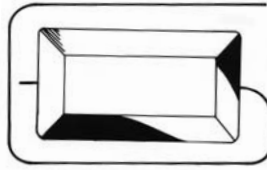
Part No.	Description
GP-1	Zinc Grouper comes with 20ft. of galvanized wire rope and an electrical contractor with instruction sheet enclosed. Nominal weight - 6 lbs.

## CRAB TRAP



Part No.	Description
CT-1	Crab Trap Zinc with cast-in galvanized wire for grounding. Nominal weight - 3/4 lbs.

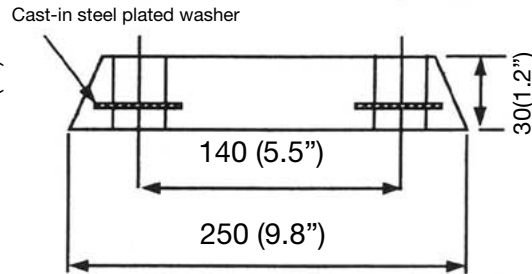
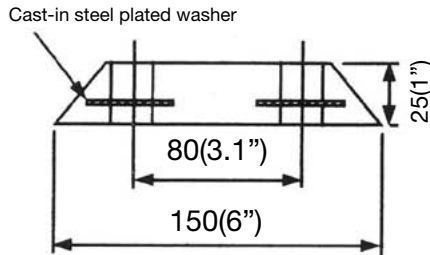
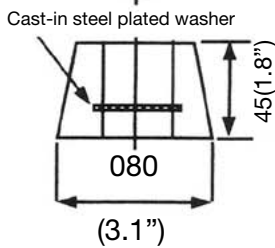
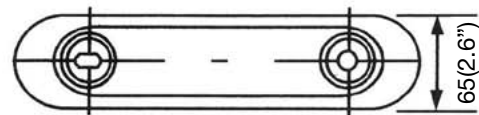
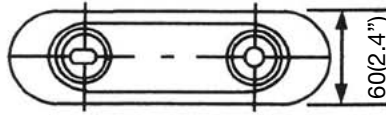
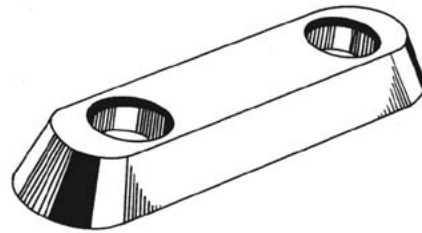
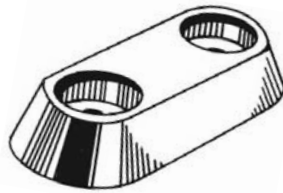
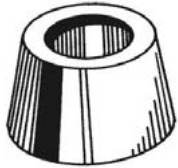
### HULL PLATE ANODES WITH BONDING WIRE\*



Part No.	Length (In Inches)	Width (In Inches)	Thickness (In Inches)
CZP-1	4 1/2	2 1/2	11/16
CZP-2	6	3	3/4
CZP-3	6	4	3/4
CZP-4	9	5	13/16

\*No. 12 Copper - 14" Long

### VETUS® HULL PLATE ANODES



Part No. 8  
Weight 1 kg (2.2 lbs.)  
Especially designed for stern-mounting.

Part No. 15  
Weight 0.9 kg (2 lbs.)

Part No. 25  
Weight 2.3 kg (5.1 lbs.)

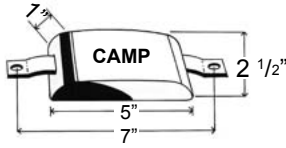
WELD-ON HULL ANODES



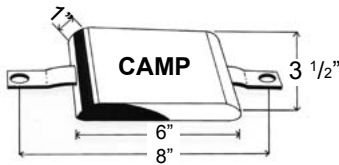
**W-3**  
Tear Drop Anode measures 6" x 3" x 1 1/4" and has cast-in galvanized steel strap with two 3/8" x 5/8" oval shaped holes



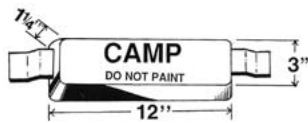
**W-6**  
Tear Drop Anode measures 9" x 3" x 1 1/4" and has cast-in galvanized steel strap with two 3/8" holes



**W-4**  
Anode has cast-in galvanized steel strap with 3/8" x 5/8" oval shaped holes



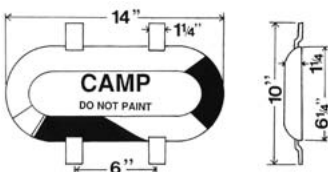
**W-5**  
Anode has cast-in galvanized steel strap with 3/8" x 5/8" oval shaped holes



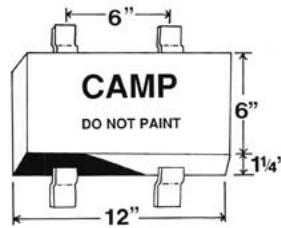
**W-12**  
Anode has cast-in galvanized steel strap

**W-12A**  
Zinc Anode with cast-in aluminum strap

**W-12B**  
Zinc Anode with cast-in brass strap



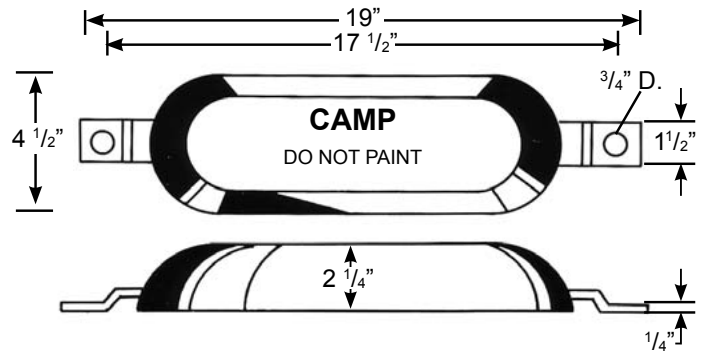
**W-24**  
Tapered Zinc Anode with two cast-in galvanized steel straps



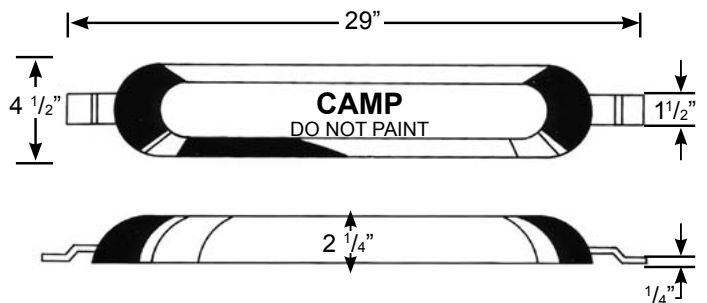
**W-24-SQ**  
Rectangular Zinc Anode with 2 cast-in galvanized steel straps

**W-24A-SQ**  
Zinc Anode with 2 cast-in aluminum straps

**W-24B-SQ**  
Zinc Anode with 2 cast-in brass straps



**W-26**  
Zinc Anode with cast-in galvanized steel strap



**W-48**  
Zinc Anode with cast-in galvanized steel strap



5300 95th Street North  
St. Petersburg, FL 33708

727.397.6076 phone  
727.398.6079 fax  
sales@campcompany.com  
www.campcompany.com

MERCURY OUTDRIVE ANODES

Part No.	Standard Box
*31640	15
*31640AL (Aluminum Anode)	-
*34127	5
34762	-
*43994A	10
46399	20
C55989	-
55989AL (Aluminum Anode)	-
A76214	20
76214-4 (No Threads)	-
806105	-
806105AL (Aluminum Anode)	-
806188	-
806188AL (Aluminum Anode)	-
806189	-
806189AL (Aluminum Anode)	-
806190	26
806190AL (Aluminum Anode)	-
809660	-
809662	-
809664	-
809666	-
809670	-
815933	10
817373	5
821629AL (Aluminum Anode)	-
821630	5
821630AL (Aluminum Anode)	-

\*After Installing New Anode, Always Check Propeller Clearance Before Starting Engine.

\*\*Includes Mounting Hardware.

NOTE: Aluminum Anodes Come with Mounting Hardware & Instructions.



5300 95th Street North  
 St. Petersburg, FL 33708

727.397.6076 phone  
 727.398.6079 fax  
 sales@campcompany.com  
 www.campcompany.com

MERCURY OUTDRIVE ANODES CONT.

Part No.	Standard Box
821631	5
821631AL (Aluminum Anode)	-
*822777	5
847635	-
76214-5	20
76214-5AL (Aluminum Anode)	-
**865182A01	-

\*After Installing New Anode, Always Check Propeller Clearance Before Starting Engine.

\*\*Includes Mounting Hardware.

NOTE: Aluminum Anodes Come with Mounting Hardware & Instructions.



## MERCURY OUTDRIVE ANODES CONT.



\*31640/  
31640AL



34762



\*34127



43994A



\*46399



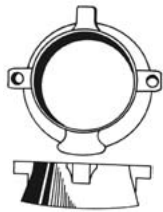
C55989/  
55989AL



806189/  
806189AL  
ALPHA

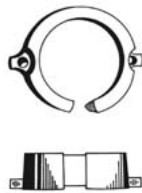


806190/  
806190AL  
BRAVO



806105/  
806105AL  
ALPHA

Side View



806188/  
806188AL  
BRAVO



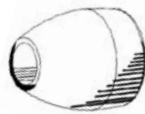
A76214



\*822777



817373  
BRAVO



865182A01  
BRAVO



815933/  
821629AL  
ALPHA



847635

\*After Installing New Anode, Always Check Propeller Clearance Before Starting Engine.

\*\*Includes Mounting Hardware.

NOTE: Aluminum Anodes Come with Mounting Hardware & Instructions.

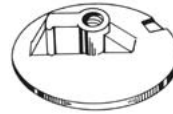
## MERCURY OUTDRIVE ANODES CONT.



821630/  
821630AL  
BRAVO



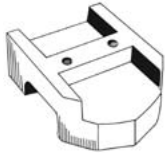
76214-4  
(No Threads)



76214-5/  
76214-5AL



809660 809662  
809664 809666  
809670



821631/  
821631AL

\*After Installing New Anode, Always Check Propeller Clearance Before Starting Engine.

\*\*Includes Mounting Hardware.

NOTE: Aluminum Anodes Come with Mounting Hardware & Instructions.



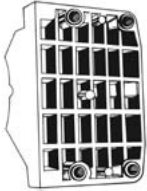
5300 95th Street North  
St. Petersburg, FL 33708

727.397.6076 phone  
727.398.6079 fax  
sales@campcompany.com  
www.campcompany.com

### OMC OUTDRIVE ANODES

Part No.	Length (In Inches)	Distance Between Hole Centers	Standard Box
367	7- <sup>5</sup> / <sub>8</sub> "	6- <sup>15</sup> / <sub>16</sub> "	20
C393023	-		20
397768	-		-
397768AL (Aluminum Anode)	-		-
436745AL (Aluminum Anode)	-		-
C980756	-		20
982438	-		5
983494	-		10
983952	-		5
984513	-		5
984547	-		4
986158	-		-
987067	-		-
3854130	-		-
3854130AL (Aluminum Anode)	-		-
3855411	-		-
393023AL (Aluminum Anode)	-		-

OMC OUTDRIVE ANODES CONT.



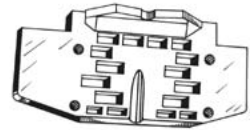
C980756



983494



367



982438



C393023/  
436745AL  
393023AL  
COBRA



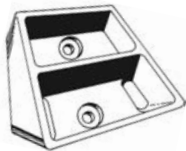
397768/  
397768AL  
KING COBRA



3854130/  
3854130AL



984547  
COBRA



983952  
COBRA



984513  
COBRA



986158  
COBRA



987067  
COBRA



3855411  
New Generation  
Low Profile



5300 95th Street North  
St. Petersburg, FL 33708

727.397.6076 phone  
727.398.6079 fax  
sales@campcompany.com  
www.campcompany.com

VOLVO OUTDRIVE ANODES

Part No.	Model	Standard Box
V-15(875810-4)	100	-
V-16(875809-6)	200	-
V-17(875805-4)	250-275	-
V-18(875815-3)	270T-280	10
823661	Diesel	-
832598	250-270	20
838929		-
852835	290B	10
875812	110 Sail Dr.	-
875821	Duo Prop	5
876286-6	120	-
3855411-2		-
3854130		-
3854130-AL		-
3588745	DPH & DPR	-
3588746	DPH	-
3888814	DPR	-
3888817	DPS-A/SX-A	-
852018		-
872139	DPX	-
872793	DPX	-
873395		-
876638	DPX	-
3584442	4 Blade Prop	-
3586963	Kit w/ screws	-
3858399	2, 3 or 4 Blade Prop	-
40005875	IPS	-

VOLVO OUTDRIVE ANODES CONT.



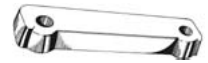
V-15, V-16, V-17



V-18



823661



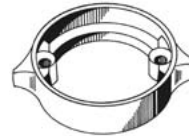
832598



838929



852835



875821



875812



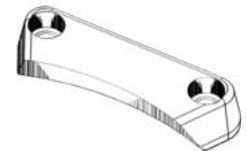
876286-6



3855411-2



3854130/  
3854130-AL



3588745



3588746



3888814



872793

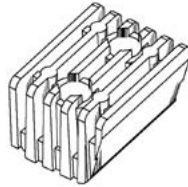


3584442

VOLVO OUTDRIVE ANODES CONT.



872139



873395



852018



3858399



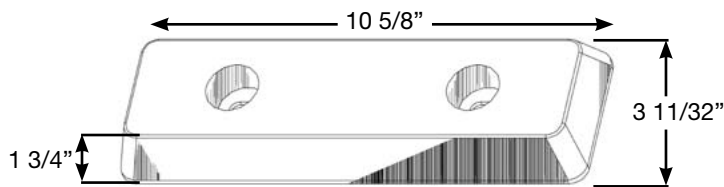
3586963



3888817

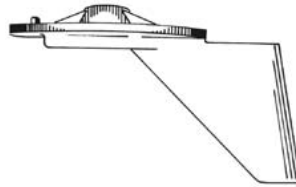


876638



40005875

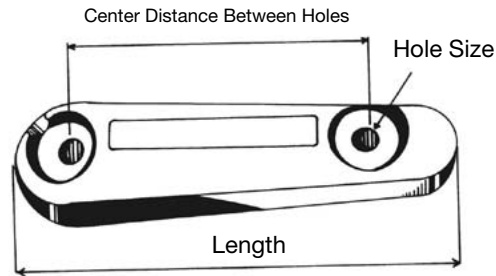
### YAMAHA OUTDRIVE ANODE



Part No.	H.P.	Standard Box
*6T5-45371-00	110-240	-

\*After Installing New Anode, Always Check Propeller Clearance Before Starting Engine

### ARNESON OUTDRIVE ANODES



Part No.	Length	Center Distance Between Holes	Hole Size
ARN-L	7-7/16"	5"	25/64"
ARN-S	6-1/8"	3-1/2"	5/16"





5300 95th Street North  
St. Petersburg, FL 33708

727.397.6076 phone  
727.398.6079 fax  
sales@campcompany.com  
www.campcompany.com

MERCURY OUTBOARD ANODES

Part No.	H.P.	Model Year	Standard Box
15300			-
*17264	55	Sea Pro Only 1996 & Newer	-
*31640			15
*31640AL (Aluminum Anode)			-
42121A2			-
43396	75-115		5
*46399			20
89026			-
A76214			20
C89949			5
*94286	25	To 1983	-
*98432	20-25 Outboard	1984 & Newer	-
818298			-
818298AL (Aluminum Anode)			-
*822157	30 Sea Pro	1996	-
*822777	50 4-Stroke		-
823912			5
823913			-
825271			-
826134			-
826134AL (Aluminum Anode)			-
880653 (Verado)			-
892227 (Verado) [893404]			-
8M0012083			-

\*After Installing New Anode, Always Check Propeller Clearance Before Starting Engine.

## MERCURY OUTBOARD ANODES CONT.



15300



17264



31640/  
31640AL



42121A2



43396



\*46399



89026



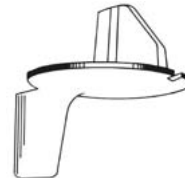
A76214



C89949



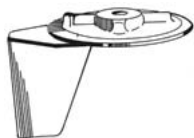
\*94286



\*98432



818298/  
818298AL



\*822157



\*822777



\*823912



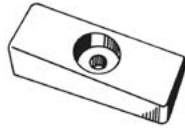
823913

\*After Installing New Anode, Always Check Propeller Clearance Before Starting Engine.

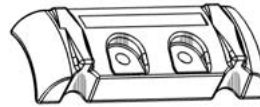
## MERCURY OUTBOARD ANODES CONT.



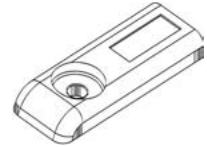
825271



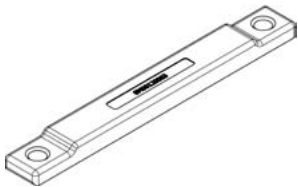
826134/  
826134AL



880653  
(Verado)



892227  
(Verado)  
[893404]



8M0012083

\*After Installing New Anode, Always Check Propeller Clearance Before Starting Engine.



5300 95th Street North  
St. Petersburg, FL 33708

727.397.6076 phone  
727.398.6079 fax  
sales@campcompany.com  
www.campcompany.com

### MARINER OUTBOARD ANODES

Part Number	H.P.	Model Year	Standard Box
11922M			-
15300			-
17264*	55	Sea Pro Only 1996 & Newer	-
18852M			-
19235M			-
31640*			15
31640AL* (Aluminum Anode)			-
42121A2			-
43107M			-
A76214			20
810945M			-
811990M			-
818298			-
818298AL (Aluminum Anode)			-
822157*	30 H.P. Sea Pro 50 H.P. 4 Stroke	1996	-
822777*			5
823912			-
823913			-
825271			-
826134	60-225		-
826134AL (Aluminum Anode)			-
82795M*			-
83394M			-
84422M			-
84506M			-
C89949			5
98432*	20-25 Outboard	1984 & Newer	-

## MARINER OUTBOARD ANODES CONT.



11922M



15300



17264\*



18852M



19235M



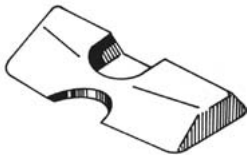
42121A2



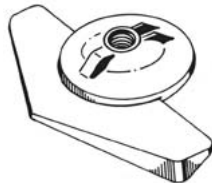
43107M



A76214



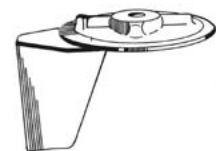
810945M



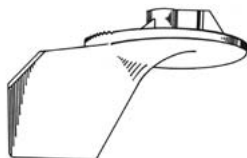
811990M



818298/  
\*818298AL



822157\*



822777\*



823912



823913



31640/  
\*31640AL

\*After Installing New Anode, Always Check Propeller Clearance Before Starting Engine

MARINER OUTBOARD ANODES CONT.



825271



826134/  
826134AL



\*82795M



83394M



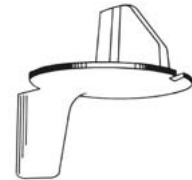
84422M



84506M



C89949



\*98432

\*After Installing New Anode, Always Check Propeller Clearance Before Starting Engine



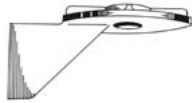
5300 95th Street North  
 St. Petersburg, FL 33708

727.397.6076 phone  
 727.398.6079 fax  
 sales@campcompany.com  
 www.campcompany.com

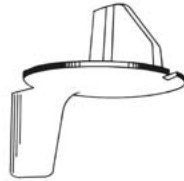
FORCE OUTBOARD ANODES

Part Number	H.P.	Model Year
*17264	60 & 75 H.P.	1995 and Newer
*98432	20-25 Outboard	1984 and Newer
523485		
819011C		
819232		
*822157	40 to 50 H.P.	1996
825271	30 and 50 H.P.	1996 and Newer
826134	90 to 120 H.P.	
826134AL (Aluminum Anode)		
F5H025		
F707485		
*817795A 1		

FORCE OUTBOARD ANODES CONT.



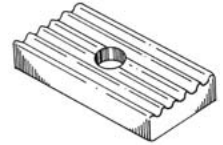
\*17264



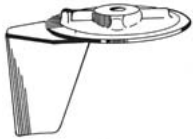
\*98432



523485



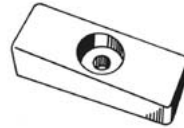
819232



\*822157



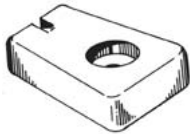
825271



826134/  
826134AL



F5H025



F707485



\*817795A 1



819011C

\*After Installing New Anode, Always Check Prop Clearance Before Starting Engine.





5300 95th Street North  
St. Petersburg, FL 33708

727.397.6076 phone  
727.398.6079 fax  
sales@campcompany.com  
www.campcompany.com

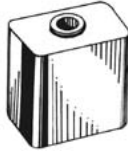
### JOHNSON & EVINRUDE OUTBOARD ANODES

Part Number	H.P.	Model Year	Standard Box
C392123			10
C393023	90-225	1991 to Present	20
393023AL	90-225	1991 to Present	-
392462	50-75	1982 to Present	10
395780		1984 to Present	-
397768	8 Cylinder Outboards	1985 to Present	-
397768AL			-
398331			-
398331AL			-
C173	For All Outboards		-
431708	40 H.P. thru V8	1988 to 1991	-
433458AL			-
433580	50-225	1991 to Present	-
433580AL	50-225	1991 to Present	-
434029	25-35		-
436745AL	90-225	1991 to Present	-
5008813			-
5009138			-
5030907	4 Stroke Outboards	2003 and Newer	-
355964	-	-	-

JOHNSON & EVINRUDE OUTBOARD ANODES CONT.



433580/  
433580AL



C393023/  
436745AL  
393023AL



C173



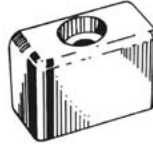
C392123



392462



431708



395780



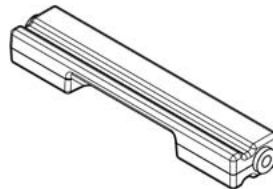
398331/  
433458AL  
398331AL



434029



397768/  
397768AL



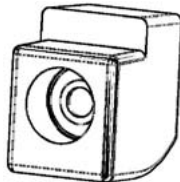
5008813



5009138



5030907



355964



5300 95th Street North  
St. Petersburg, FL 33708

727.397.6076 phone  
727.398.6079 fax  
sales@campcompany.com  
www.campcompany.com

### YAMAHA OUTBOARD ANODES

Part Number	H.P.	Standard Box
6AW-45251-00		
6AW-45373-00		
6E5-11325	-	-
6E5-45251	115-200	-
688-45251	40-90	-
688-45371/6E5-45371-01*	-	5
664-45371*	-	5
688-45371-02*	-	5
6G5-45251	115-200	10
6J9-45371	-	10
6H1-45251	40-90	5
61A-45371**	225-250	10
6K1-45371-00 Counter Rotation Only*		5
6K1-45371-02 Counter Rotation Only*		5
6E0-45251-11	-	-
6E8-45251-01	-	-
6L5-45251-02	-	-
6G1-45251-03	-	-
6H1-45251-02	-	-
67C-45251-00		
67C-45371-00*	-	-
67F-45371-00*	-	-
61N-45251-01	-	-
6E5-45371-10	-	-
69L-45371-00*	-	-

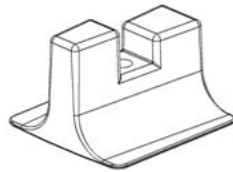
\*After Installing New Anode, Always Check Propeller Clearance Before Starting Engine.

\*\*For more prop clearance, use part #69L-45371-00 in place of this part.

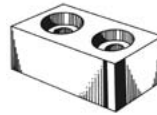
YAMAHA OUTBOARD ANODES CONT.



6AW-45251-00



6AW-45373-00



6E5-45251



688-45251



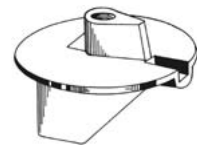
6H1-45251



6G5-45251



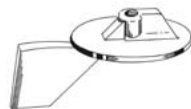
\*664-45371



\*688-45371  
6E5-45371-01



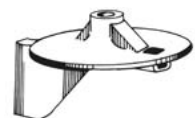
\*6J9-45371



\*688-45371-02



\*\*61A-45371



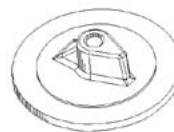
\*6K1-45371-02  
Counter Rotation Only



\*6K1-45371-00  
Counter Rotation Only



6G1-45251-03

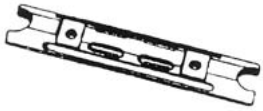


6E5-45371-10



67C-45251-00

## YAMAHA OUTBOARD ANODES CONT.



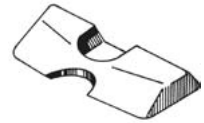
6H1-45251-02



6E0-45251-11



\*6E8-45251-01



6L5-45251-02



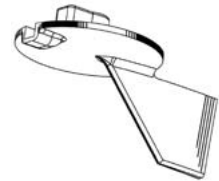
\*69L-45371-00



6E5-11325



\*67C-45371-00



\*67F-45371-00



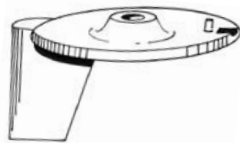
61N-45251-01

## HONDA OUTBOARD ANODES

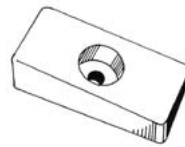
Part Number	
41106-935-812	
41107-ZV5-000*	
41109-ZW1-003	
06411-ZV5-000	
06411-ZW1-000/ 06411-ZW1-020	
41109-ZW1-B00	



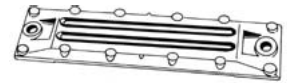
41106-935-812



\*41107-ZV5-000



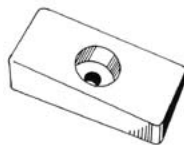
41109-ZWI-003



06411-ZW1-000/  
06411-ZW1-020



06411-ZV5-000



41109-ZW1-B00

\*After Installing New Anode, Always Check Propeller Clearance Before Starting Engine.

## NISSAN & TOHATSU OUTBOARD ANODES

Part Number	H.P.	Standard Box
33860-2181	40-70	-
*34860-2170M	40-70	5
*3B7-60217-0	90	-
3B7-60218-0	50-140	-
3B7-60218-1	-	-
3C8-60217-3-1	-	-
3KY-60218-0	-	-



3B7-60218-0



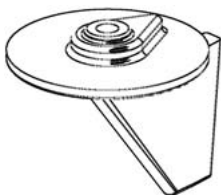
\*34860-2170M



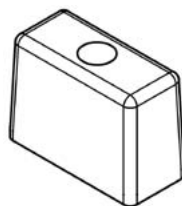
33860-2181



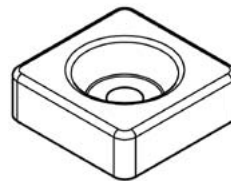
\*3B7-60217-0



3C8-60217-3-1



3B7-60218-1

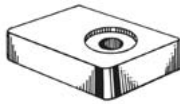


3KY-60218-0

\*After Installing New Anode, Always Check Propeller Clearance Before Starting Engine

## SUZUKI OUTBOARD ANODES

Part Number	H.P.	Standard Box
55320-95310	55-140	-
55321-94900	115-140	-
55321-87J00		
*55125-9630	20-30	-
*55125-87D00	150-200	5
*55125-94502	115-140	-
*55125-94400		-
*55125-87E01	90	-
41810-87D00	90	-



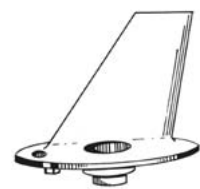
55320-95310



\*55125-87D00



\*55125-9630



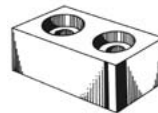
\*55125-87E01



\*55125-94502



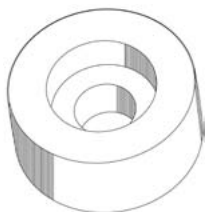
\*55125-94400



41810-87D00



55321-94900



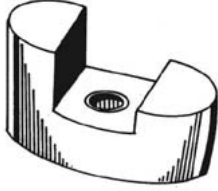
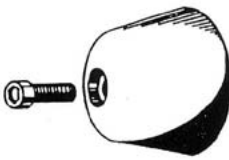

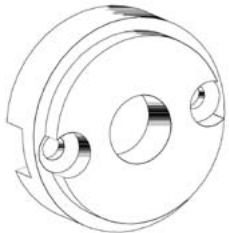
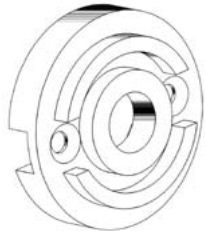
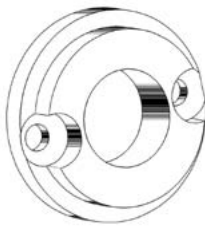
55321-87J00

\*After Installing New Anode, Always Check Propeller Clearance Before Starting Engine



### VETUS® BOW THRUSTER ANODES

VETUS® IS A REGISTERED TRADEMARK OF VETUS®. CAMP IS NOT ASSOCIATED WITH OR SPONSORED BY VETUS®.

Part Number	LBF	Models
BP-129 w/ Screw [SET 0153]	55	Bow 2512
	77	Bow 3512
	121	Bow 55 (old)
	176	Bow 80 (old)
	210	Bow 95 (old)
	352	Bow 16024
	275	Bow 125
BP-195 w/ Screw [SET 0151]	352	Bow 160 / 16024
	352	Bow 160 HM
	488	Bow 22024
	905	Bow 410 HM
	1215	Bow 550 HM
	77	Bow 35
	121	Bow 55 (new)
BP-1126 w/ Screws & Nut [SET 0149]	121	Bow 55 HM
	132	Bow 60
	165	Bow 75
	210	Bow 95 (new)
	210	Bow 95 HM
BP-1185 w/ Screws [SET 1050]	485	Bow 220
	628	Bow 285
	665	Bow 300 HM
BP-1210 w/ Screws [SET 0152]	55	Bow 25
BP-1221 w/ Screws [SET 0148]		
		
BP-129	BP-195	BP-1210
		
BP-1126	BP-1185	BP-1221



5300 95th Street North  
St. Petersburg, FL 33708

727.397.6076 phone  
727.398.6079 fax  
sales@campcompany.com  
www.campcompany.com

SIDE POWER BOW THRUSTER ANODE KITS  
(ALL KITS INCLUDE ANODE & SCREW)

Part Number	Dimensions	For Models:
SM3-1180	15/16" x 5/8"	SM30S, SM40S
SM5-1180/ SM7-1190	1-3/4" x 3/4"	SM55S12, SM55S24 SM75T12, SM75T24 SM95T12, SM95T24 SM75T12-IP, SM75T24-IP, SM9T12-IP, SM95T24-IP
SM20-1180	1-7/8" x 1-11/16"	SM155TC, SM200TC32, SM200TC32, SM220TC, SM285TC, Composite props & SM2290HYD/U-08, SM220HYD/U-10, SM220HYD/U-11, SM220HYD/U-14, SM220HYD/U-16, SM220HYD/U-19, SM300HYD/U-10, SM300HYD/U-11, SM300HYD/U-14, SM300HYD/U-16, SM300HYD/U-19
SM50-1180	2-7/8" x 2"	SM500HYD/U-37, SM550HYD/U-44, SM550HYD/U-50, SM550HYD/PRO-40, SM550HYD/PRO-60
SM6-1180	1" x 13/16"	4HP (w/ 3 blade prop.)
SM10-1180	1-5/8" x 1-3/8"	Older 10/15/20HP (twin w/ bronze props)
SM7-1180	1-15/16" x 49/64" x 17/32"	7HP models (3-bladed props)

SIDE POWER BOW THRUSTER ANODE KITS CONT.  
(ALL KITS INCLUDE ANODE & SCREW)



SM3-1180



SM5-1180/  
SM7-1190



SM20-1180



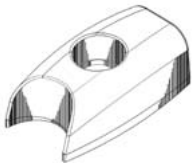
SM50-1180



SM6-1180

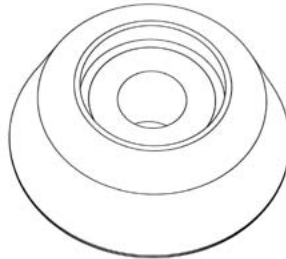


SM10-1180



SM7-1180

## LEWMAR BOW THRUSTER ANODES



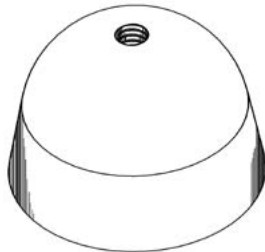
Part Number	Model
589150	140TT
589350	185TT
589550	250/300TT

## SIDE SHIFT BOW THRUSTER ANODES

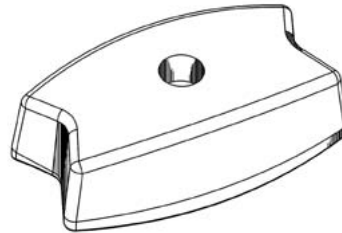


Part Number	Thread Size
SS-1	1/4-20
SS-2	8MM-1.25 pitch
SS-3	3/8-16
SS-4	7/16-20

QL BOW THRUSTER ANODES



41100098



4110276

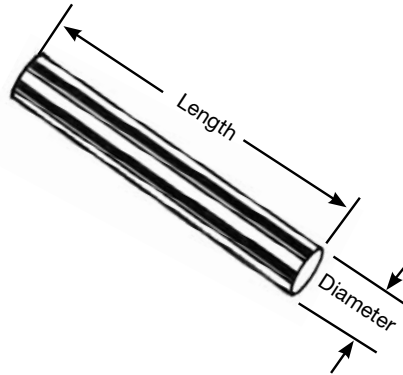
Part Number	Model
41100098	BP1200/SP1300
4110276	BP/SP600

WESMAR THRUSTER ANODES



Part Number	Prop Size
B	up to 12"
C	over 12"

### ZINC RODS



Part Number	Diameter in Inches	Length in Inches
ZR-1	1/2"	72"
ZR-2	5/8"	72"
ZR-3	3/4"	72"
ZR-4	1"	72"
ZR-5	1-1/4"	24"
ZR-6	1-1/2"	24"
ZR-7	2"	24"
ZR-8	3"	24"

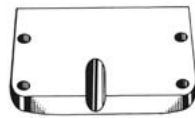
OMC SAIL DRIVE ANODE



C389999

---

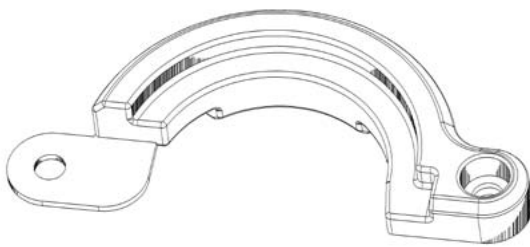
SEA SAIL DRIVE ANODE



C983191

---

YANMAR SAIL DRIVE ANODE & ADAPTOR



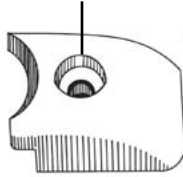
196450-2500/196450-02600



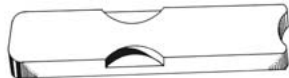
196440-02690

### KEEL COOLER

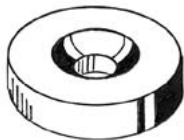
Cast in Brass Bushing



Part No.	Description
Z-1	For size 1/2", 3/4", 1" Single Stem & 1-1/4" & 1-1/2" Double Stem 4 tube 1 - 1-1/8" fluted
Z-2	For size 1-1/4" & 1-1/2", 1" Single Stem & 2-1/2" Double Stem 4 tube 1-1/2" turbo tube
Z-3	For size 2", 2-1/2", 3", 4" Single Stem & 3" & 4" Double Stem
X-45-3	For 2 tubes 3/4", 1", 1-1/4", 1-1/2" ends
X-47-3	For 4 tubes 1", 1-1/4", 2" ends
X-48-3	For 6 tubes 2-1/2" ends
X-58	May be cut to fit
X-60-3	For 8 tubes
X-61-3N	For 6 tubes



### FRIGOBOAT



E51525

Part No.	Diameter	Thickness	Hole Diameter
E51525	1-23/64"	9/32"	17/64"

### SEA STRAINER



SZ-1

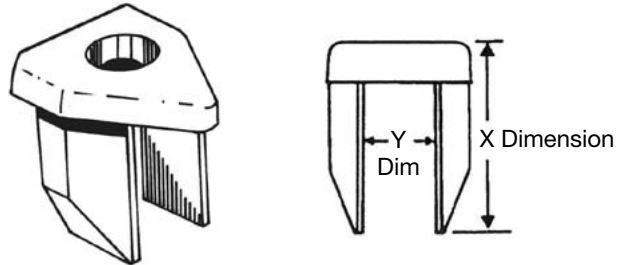


DOK

Part No.	Length	Width	Center Distance Between Holes
SZ-1	3-7/8"	1-1/2"	1-1/2"
DOK	3-3/8"	1-1/4"	1-27/32"



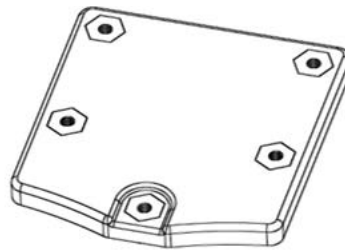
### LINE CUTTER ANODES



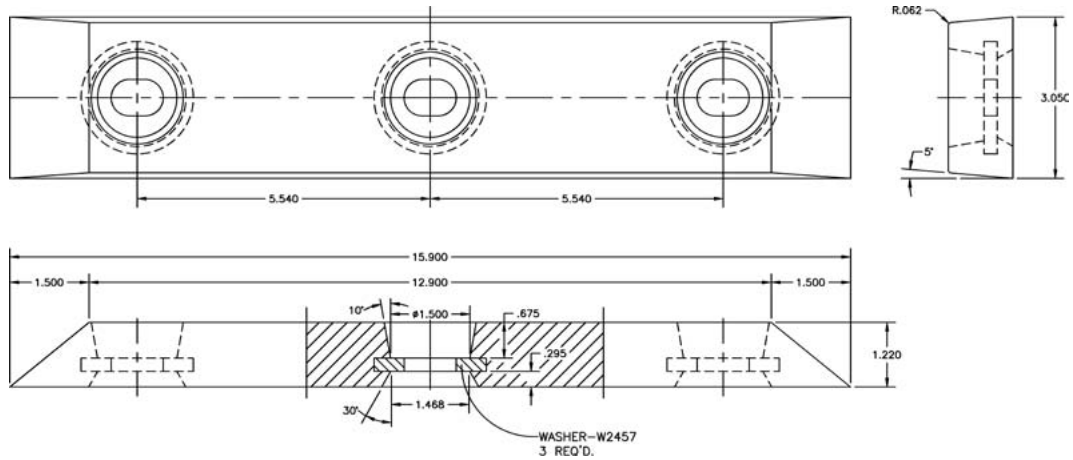
Part Number	Y Dimension	X Dimension
A	.367	.680
B	.400	.680
C-D-E	.520	1.250

### MERCURY ZEUS DRIVE

**Part No.**  
879150A65



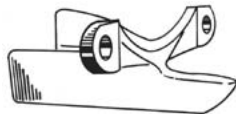
### KAMEWA JET DRIVE ANODE



Part Number	Description
2457	

### MERCURY POWER JET ANODES

Part Number	H.P.
820444	90-120
820503	



820444



820503

### SEA DOO KIT



271001487

Part No.  
271001487\*

\*Includes mounting screw



5300 95th Street North  
St. Petersburg, FL 33708

727.397.6076 phone  
727.398.6079 fax  
sales@campcompany.com  
www.campcompany.com

### HAMILTON JET DRIVE ANODES

Part Number	Center Distance Between Holes
011059	2-3/8"
103359	2-1/4"
104634	3-1/8"
102185	
105447	
111593	
111644	
103862	2-3/4"
112657	
107890	

### HAMILTON JET DRIVE ANODES CONT.



011059



103359



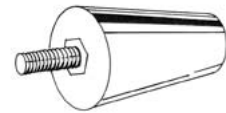
104634



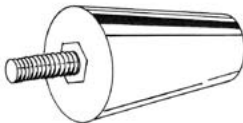
102185



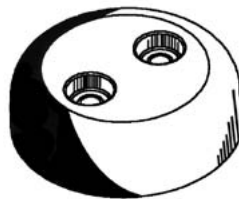
105447



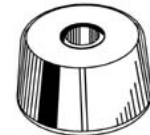
111593



111644



103862



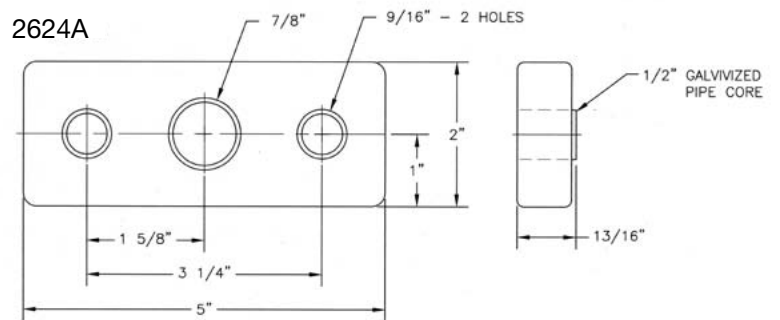
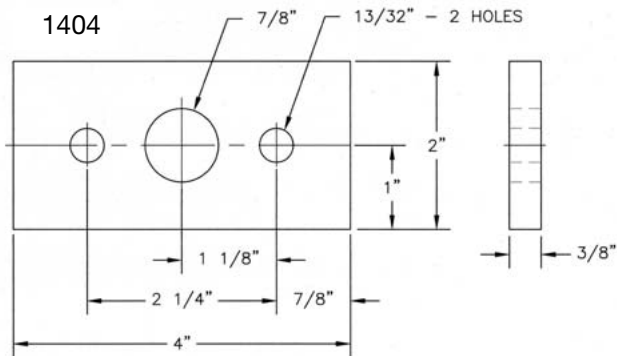
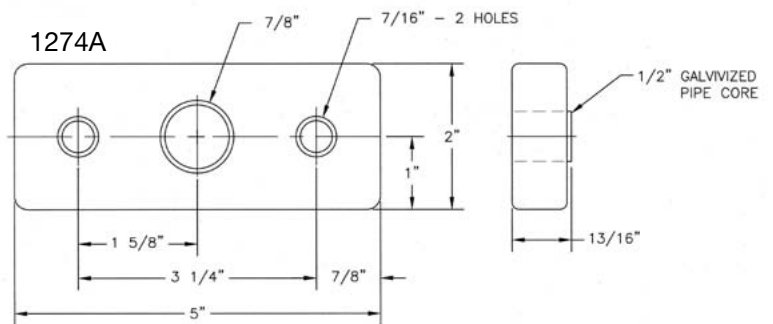
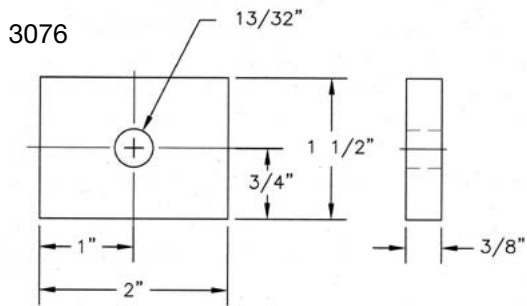
112657



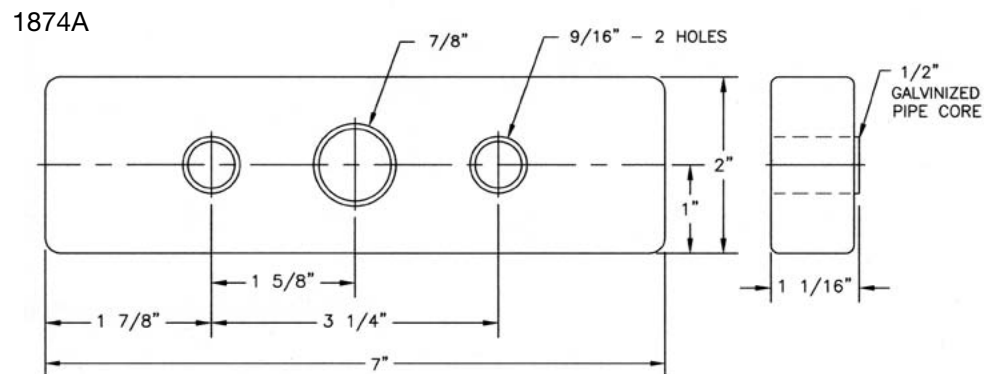
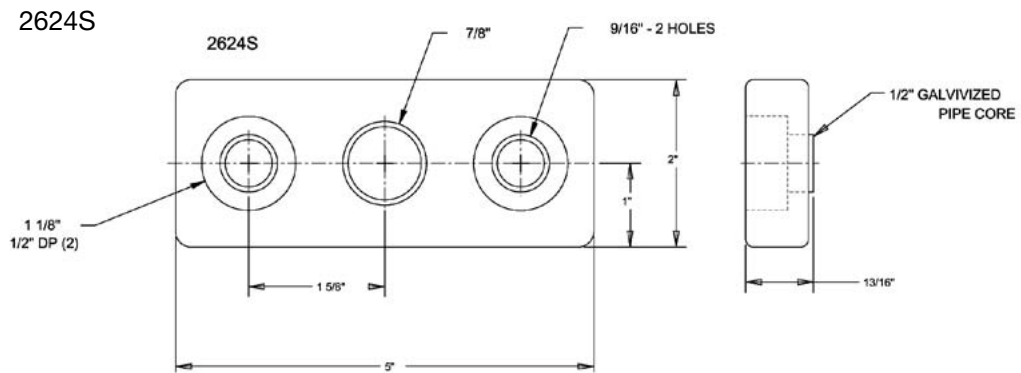
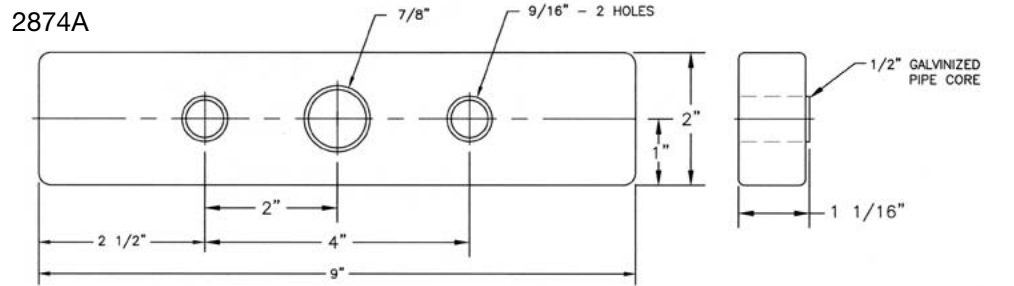
107890

## HEAT EXCHANGER/FERNSTRUM ANODES

Part Number	Description
2874A	
1874A	
2874S	
1874S	
2624A	
2624S	
1274A	
3076	
1404	



HEAT EXCHANGER/FERNSTRUM ANODES CONT.



### BRONZE BOLTS FOR HEAT EXCHANGER/FERNSTRUM ANODES

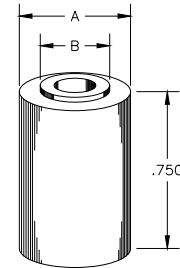
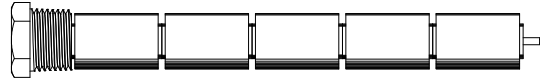
Part Number	Length
BRZ1	1"
BRZ175	1.750"

### STAINLESS STEEL RODS FOR ZDT ASSEMBLIES



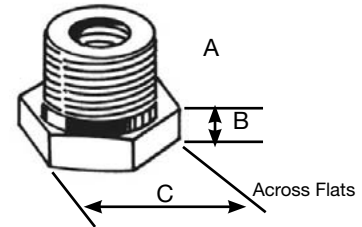
Part Number	Stainless Rod Size	Use With
SR-3	3/16" x 3"	S-438 & S-500
SR-6	3/16" x 6"	S-813 & S-1000

TYPE ZDT ZINC REPLACEMENT ELEMENTS



Part Number	Federal Stock Number	Plug (NPT Size)	Element Dimensions			
			A		B	
			Inches	MM	Inches	MM
S-438	5340-526-3663	1/4" or 3/8"	.1875	4.8	.4375	11.1
S-500	5340-526-3664	1/2"	.1875	4.8	.500	12.7
S-813	5340-526-3656	3/4"	.1875	4.8	.8125	20.6
S-1000	5340-526-3657	1"	.1875	4.8	1.000	25.4

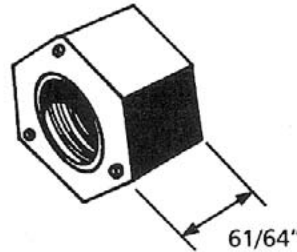
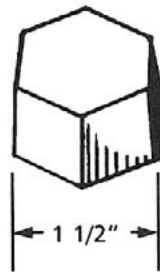
TYPE ZDT BRASS PLUG



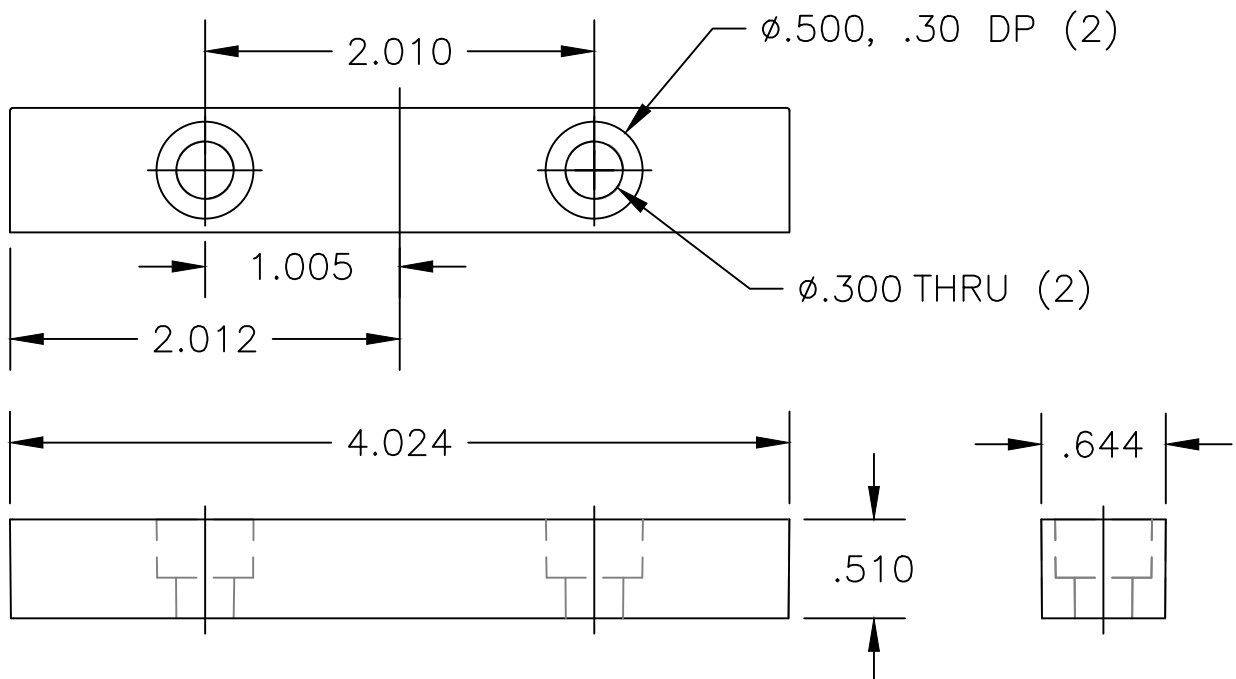
Part Number	PLUG DIMENSIONS				Internal Thread	Use with Pencil	
	A (NPT Size)	B		C			
		Inches	MM	Inches	MM		
PP-250-B	1/4"	.250	6.6	.562	14.3	3/8 - 16 NC	P-375
PP-375-B	3/8"	.250	6.6	.690	17.5	3/8 - 16 NC	P-500
PP-500B	1/2"	.250	6.6	.875	22.2	3/8 - 16 NC	P-625
PP-750-B	3/4"	.312	7.9	1.062	26.9	5/8 - 11 NC	P-750
PP-1000-B	1"	.500	12.7	1.50	38.1	3/4 - 10 NC	P-1050
PP-1250-B	1 1/4"	.375	9.5	1.750	44.6	3/4 - 10 NC	P-1050



## CAP ANODES

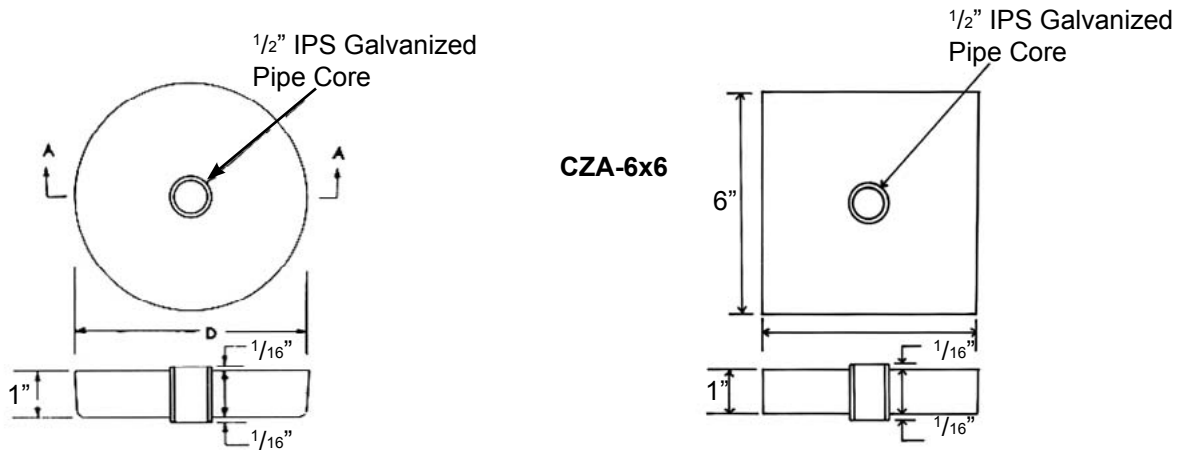


Part Number	Thread Size
PC-716	7/16"-14 NC
PC-120	1/2"-13 NC
PC-580	5/8"-11 NC
PC-340	3/4"-10 NC
PC-100	1"-8 NC



Part 22329

### CONDENSER ZINCS

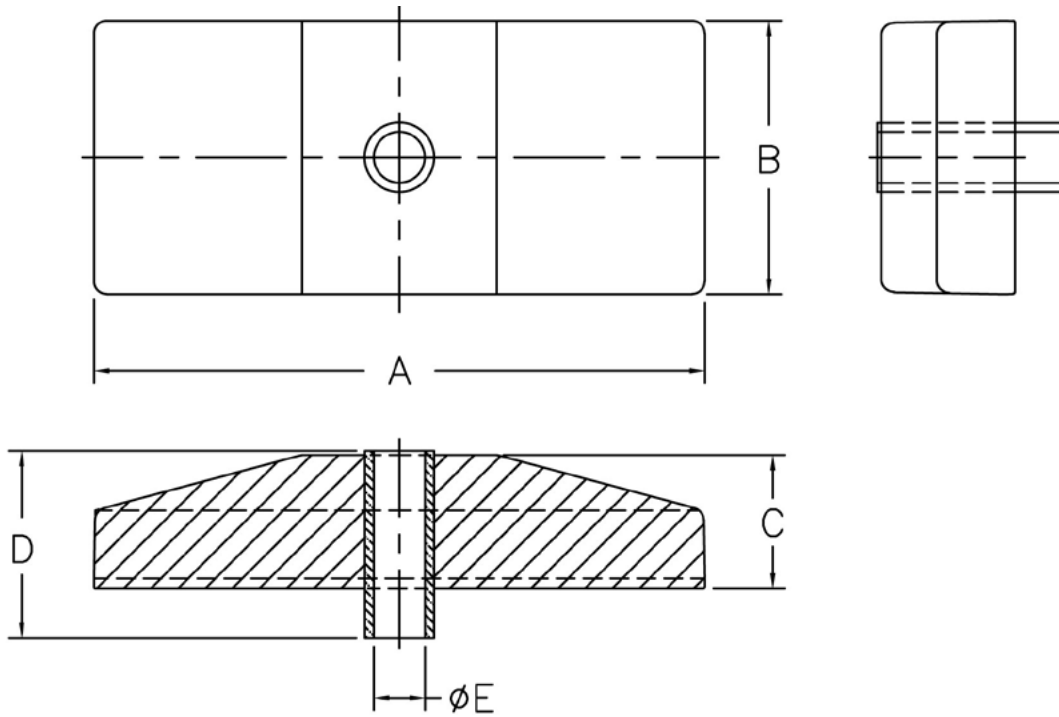


Part Number	Diameter	Nominal Weight	Core
CZA-2	2"	1 lb.	A
CZA-3	3"	2 lbs.	A
CZA-4	4"	3 lbs.	A
CZA-5	5"	5 lbs.	A
CZA-6	6"	7 lbs.	A
CZA-7	7"	10 lbs.	A
CZA-8	8"	14 lbs.	A
CZA-9	9"	16 lbs.	B (Not Shown)
CZA-11	11"	24 lbs.	B (Not Shown)
CZA-6x6	---	9 lbs.	A

Core(A) - One 1/2" IPS galvanized steel pipe core

Core (B) - Two 1/2" IPS galvanized steel pipe core on 3 1/2" centers (Not Shown)

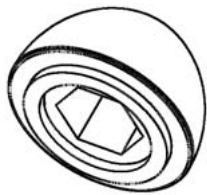
## MOORING CHAIN ANODES



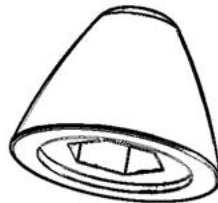
Part Number	A	B	C	D	E
MA-4	6"	2 5/8"	1 3/8"	1.88"	.44"
MA-2 3/4	4"	2 1/8"	1 3/8"	1.56"	1/2"
MA-2 1/2	3 1/2"	1.94"	1 1/4"	1.33"	1/2"

### QUICK BOW THRUSTER

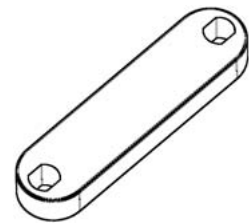
Part Number	Description
BTQ/BTR - 140	140MM Tunnel
BTQ/BTR - 185	185MM Tunnel
BTQ/BTR - 250	250MM Tunnel
BTQ/BTR - 300	300MM Tunnel
BTQR - 6015	Plate Anode



BTQ/BTR -140 / BTQ/BTR - 185



BTQ/BTR - 250 / BTQ/BTR - 300



BTQR - 6015